



MEGA PRO



MEGA PRO

PARTS CATALOG
2006

DAFTAR ISI

KELOMPOK MESIN

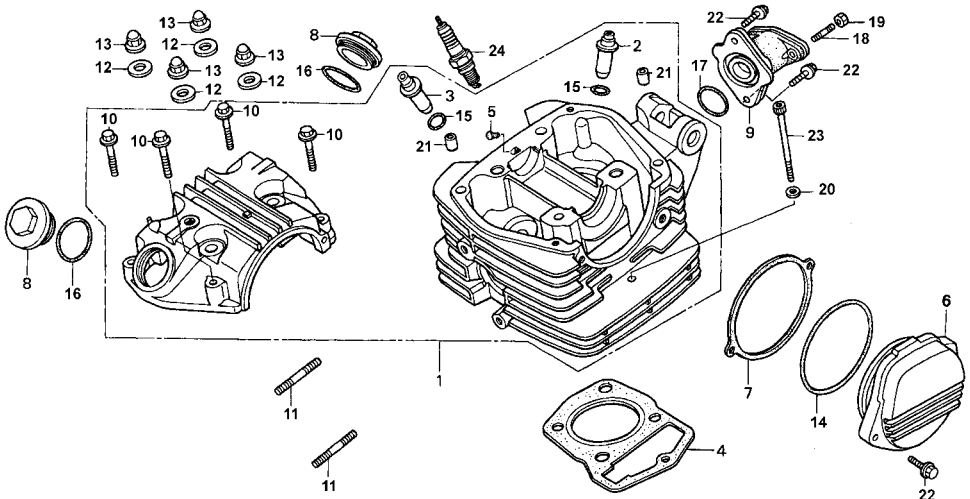
2

KELOMPOK RANGKA

3

E-1

Cylinder head



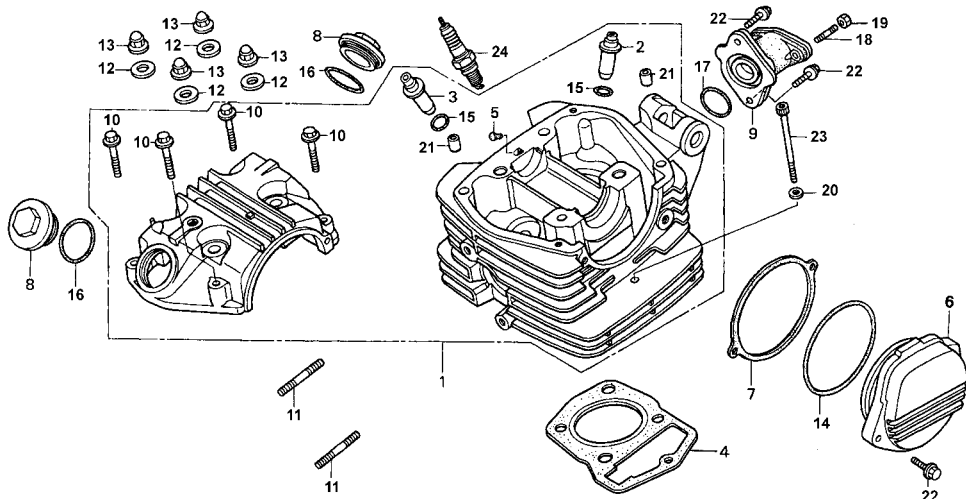
KEHG - GL156S

No.	Part Number	Description	Q'ty
1	12000-KCN-000	HEAD ASSY., CYLINDER	1
2	12204-439-305	GUIDE, IN. VALVE	1
3	12206-KCN-305	GUIDE, EX. VALVE	1
4	12251-KEH-910	GASKET, CYLINDER HEAD	1
5	12271-383-000	RUBBER, OIL SEAL	1
6	12331-KCJ-710	COVER, L. CYLINDER HEAD	1
7	12339-KCJ-710	GASKET, PULSE GENERATOR BASE	1
8	12361-383-000	CAP, TAPPET ADJUSTING HOLE	2
9	16210-KCT-690	INSULATOR, CARBURETOR	1
10	90001-GHB-700	BOLT, FLANGE, 6X35	4
11	90041-KW1-900	BOLT, STUD, 7X35	2
12	90442-028-000	WASHER, SEALING, 8MM	4
13	90443-107-000	NUT, CAP, 8MM	4
14	91301-107-001	O-RING, 75X2.5	1
15	91301-200-000	O-RING, 10X1.6	2
16	91303-KK3-831	O-RING, 35X3 (ARAI)	2
17	91304-HB3-004	O-RING, 33.5X3.0	1
18	92912-06016-0B	BOLT, STUD, 6X16	2
19	94050-06000	NUT, FLANGE, 6MM	2
20	94101-06000	WASHER, PLAIN, 6MM	1

08.09.1998

E-1

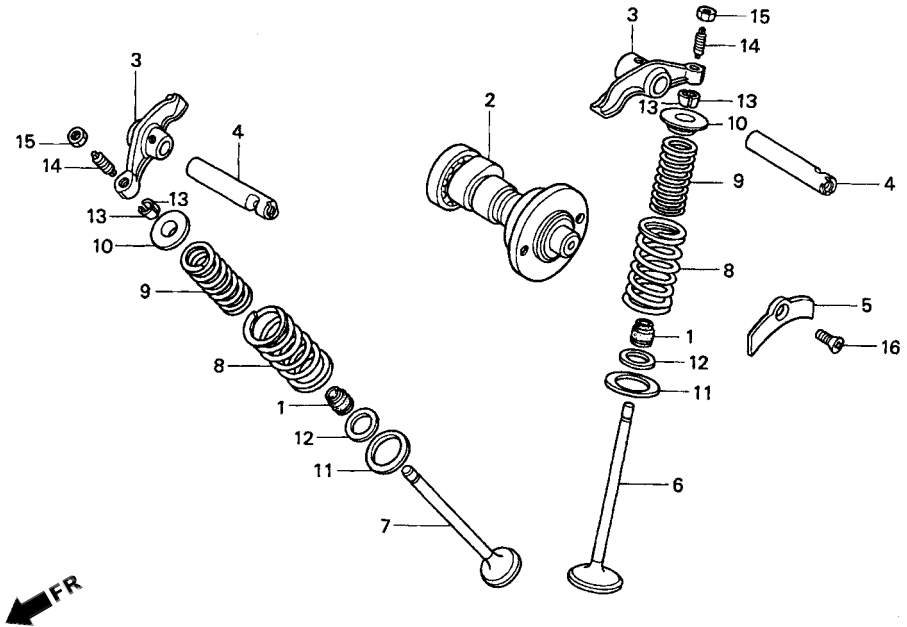
Cylinder head



KEHG - GL156S

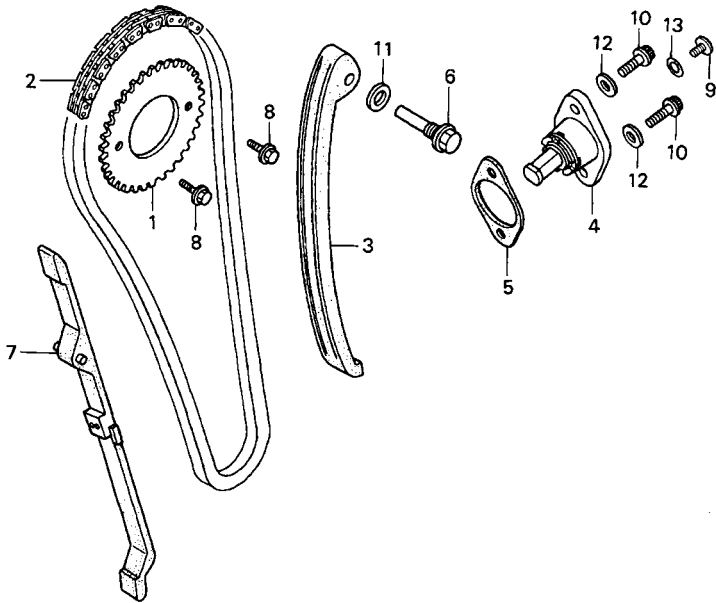
No.	Part Number	Description	Q'ty
21	94301-08140	PIN, DOWEL, 8X14	2
22	96001-06022-00	BOLT, FLANGE, 6X22	4
23	96700-06110-00	BOLT, SOCKET, 6X110	1
24	98069-58921	PLUG, SPARK (X24EP-U9 ND)	1

08-03-1993



KEHG - GL156S

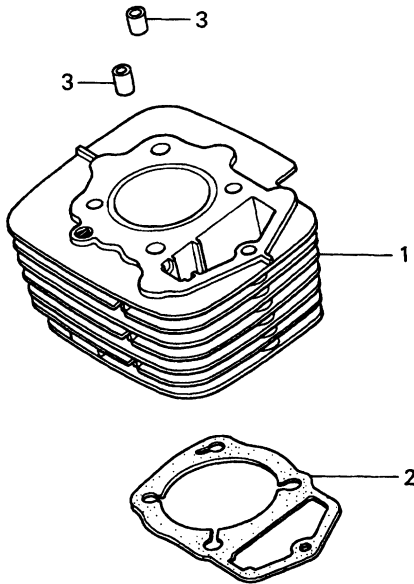
No.	Part Number	Description	Q'ty
1	12208-413-003	SEAL, VALVE STEM	2
2	14100-KEH-660	CAMSHAFT COMP	1
3	14431-KEH-900	ARM, VALVE ROCKER	2
4	14451-437-000	SHAFT, VALVE ROCKER ARM	2
5	14456-KG2-950	PLATE, VALVE ROCKERARM SHAFT SETTING	1
6	14711-KBB-900	VALVE, IN	1
7	14721-KBB-900	VALVE, EX	1
8	14751-383-005	SPRING, VALVE OUTER	2
9	14761-383-005	SPRING, VALVE INNER	2
10	14771-107-020	RETAINER, VALVE SPRING	2
11	14775-107-000	SEAT, VALVE SPRING OUTER	2
12	14776-107-010	SEAT, VALVE SPRING INNER	2
13	14781-MB4-000	COTTER, VALVE	4
14	90012-KN6-930	SCREW, TAPPET ADJUSTING	2
15	90206-250-000	NUT, TAPPET ADJUSTING	2
16	93600-06016-0A	SCREW, FLAT, 6X16	1



KEHG - GL156S

No.	Part Number	Description	Q'ty
1	14321-KEH-900	SPROCKET, CAM (34T)	1
2	14401-KEH-901	CHAIN, CAM (100L)	1
3	14500-KW1-900	TENSIONER, CAM CHAIN	1
4	14520-KCT-692	LIFTER ASSY., TENSIONER	1
5	14523-KEH-910	GASKET, TENSIONER LIFTER	1
6	14535-437-000	BOLT, CAM CHAIN TENSIONER PIVOT	1
7	14550-KCT-690	GUIDE, CAM CHAIN	1
8	90002-KW1-900	BOLT, FLANGE, 6X10	2
9	90005-KY7-000	SCREW, PAN, 6X6	1
10	90071-MG8-000	BOLT, FLANGE SOCKET, 6X16	2
11	90475-703-000	WASHER C, 8MM	1
12	90488-425-000	WASHER, SEALING, 6MM	2
13	91306-MG3-001	O-RING, 1.5X9.5	1

08-03-1993

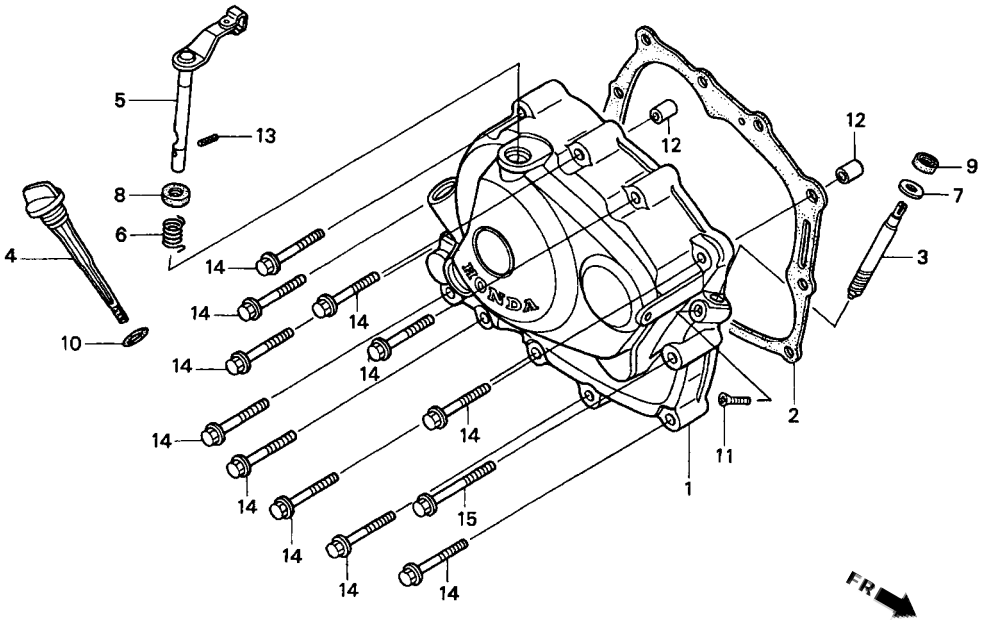


KEHG - GL156S

No.	Part Number	Description	Q'ty
1	12100-KEH-900	CYLINDER COMP	1
2	12191-437-020	GASKET, CYLINDER	1
3	94301-10200	PIN A, DOWEL, 10X20	2

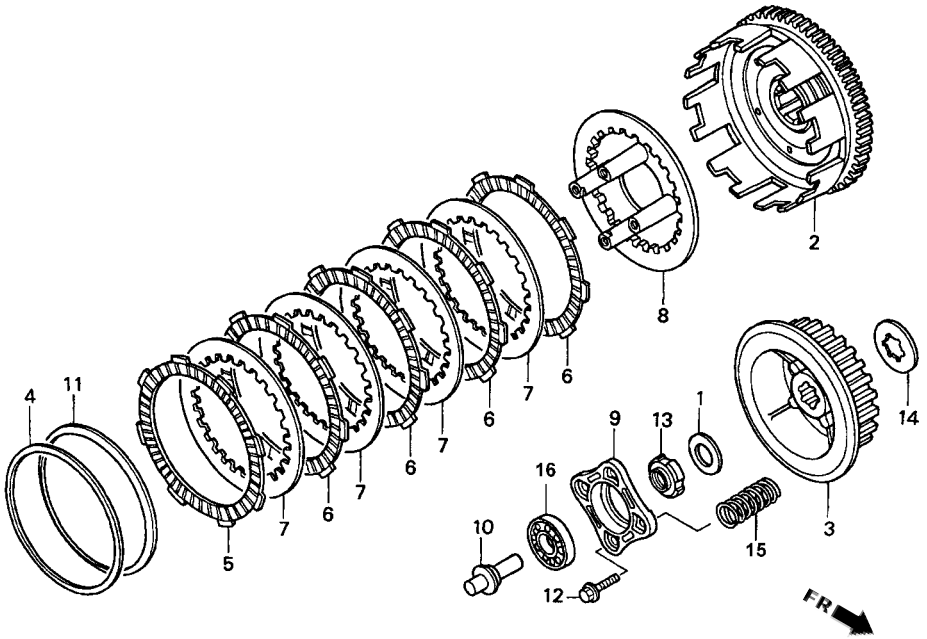
E - 5

Right crankcase cover



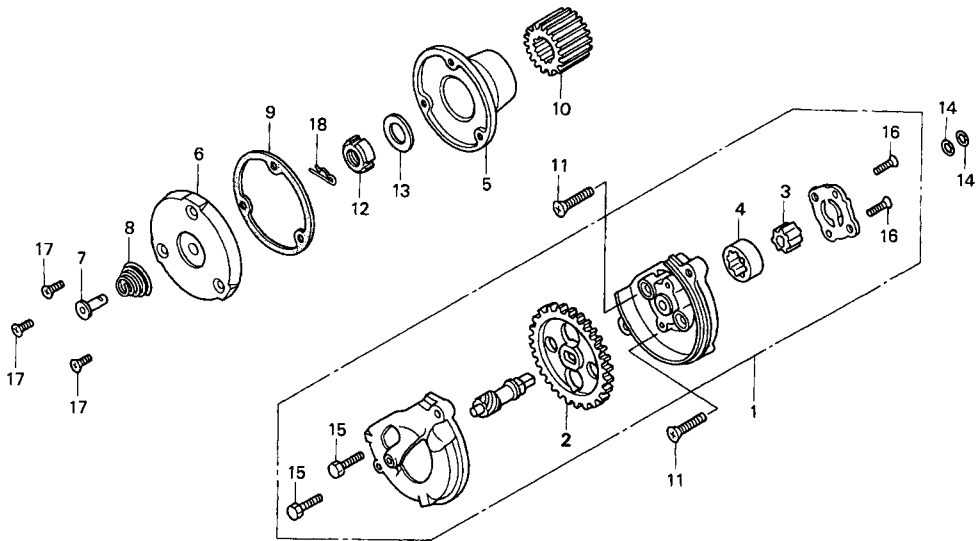
KEHG - GL156S

No.	Part Number	Description	Q'ty
1	11330-KEH-661	COVER COMP., R. CRANKCASE	1
2	11393-KCJ-710	GASKET, R. COVER	1
3	12431-KG2-000	GEAR, TACHOMETER	1
4	15650-KEH-900	GAUGE, OIL LEVEL	1
5	22810-437-000	LEVER COMP., CLUTCH	1
6	22815-428-001	SPRING, CLUTCH LEVER	1
7	90458-324-010	WASHER, THRUST, 6.7MM	1
8	91201-KEH-900	OIL SEAL, 12X22X5	1
9	91201-324-023	OIL SEAL, 6.5X14.5X7	1
10	91307-035-001	O-RING, 18X3	1
11	93700-05025-0A	SCREW, OVAL, 5X25	1
12	94301-08140	PIN, DOWEL, 8X14	2
13	94305-30102	PIN, SPRING, 3X10	1
14	96001-06040-00	BOLT, FLANGE, 6X40	11
15	96001-06050-00	BOLT, FLANGE, 6X50	1



KEHG - GL156S

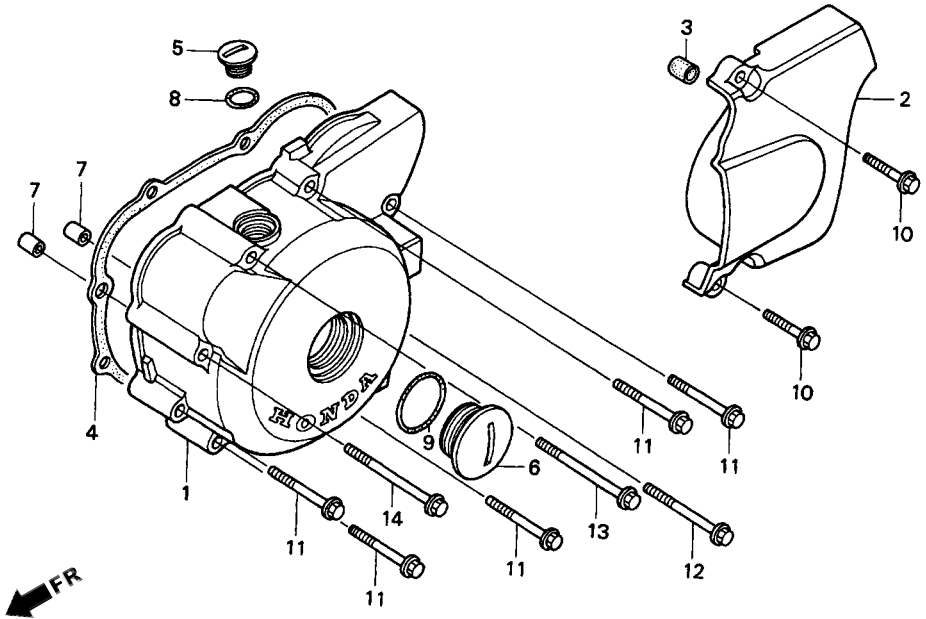
No.	Part Number	Description	Q'ty
1	15451-107-000	WASHER, OIL FILTER ROTOR LOCKING	1
2	22100-KEH-900	OUTER COMP., CLUTCH	1
3	22121-KB5-720	CENTER COMP., CLUTCH	1
4	22125-KW7-901	SEAT, JUDDER SPRING	1
5	22201-MJ8-001	DISK, CLUTCH FRICTION	1
6	22201-166-001	DISK, CLUTCH FRICTION	4
7	22311-KN4-680	PLATE, CLUTCH	4
8	22350-107-011	PLATE, CLUTCH PRESSURE	1
9	22361-437-000	PLATE, CLUTCH LIFTER	1
10	22366-KCN-000	ROD, CLUTCH LIFTER	1
11	22402-KW7-901	SPRING, JUDDER	1
12	90050-357-000	BOLT, SPECIAL FLANGE, 6X22	4
13	90231-KB5-720	NUT, LOCK, 16MM	1
14	90461-KB5-720	WASHER, SPLINE, 20MM	1
15	95014-75110	SPRING 11, CLUTCH	4
16	HB6003	BEARING, RADIAL BALL, 6003	1



KEHG - GL156S

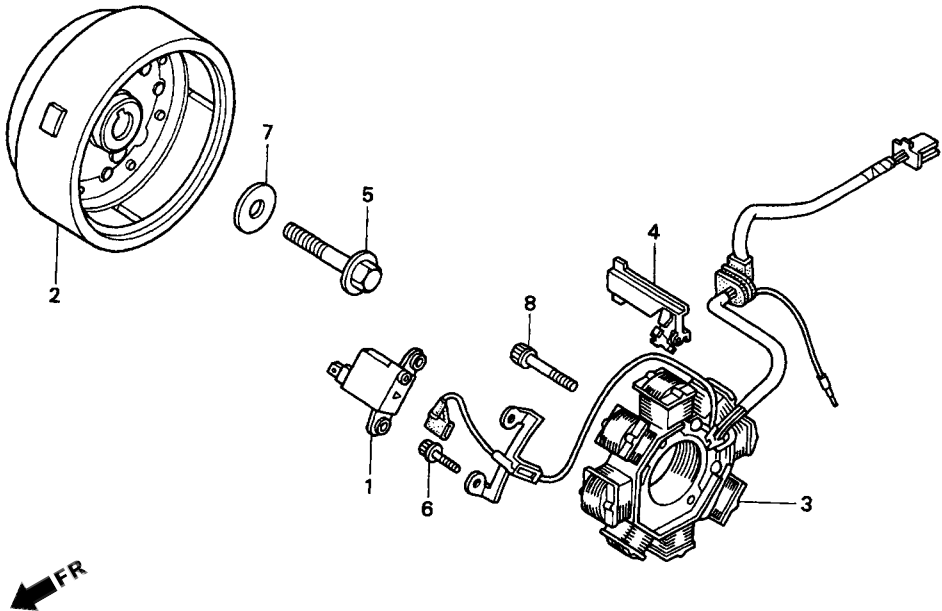
No.	Part Number	Description	Q'ty
1	15100-KEH-901	OIL PUMP ASSY	1
2	15131-KEH-900	GEAR, OIL PUMP DRIVE (37T)	1
3	15331-399-000	ROTOR, OIL PUMP INNER	1
4	15332-399-000	ROTOR, OIL PUMP OUTER	1
5	15430-440-030	ROTOR COMP., OIL FILTER	1
6	15436-107-000	CAP, OIL FILTER ROTOR	1
7	15441-KCS-650	THROUGH, OIL	1
8	15446-107-001	SPRING, OIL THROUGH	1
9	15459-107-000	GASKET, OIL FILTER ROTOR CAP	1
10	23121-KEH-900	GEAR, PRIMARY DRIVE (21T)	1
11	90101-440-000	SCREW, FLAT, 6X30	2
12	90231-KCS-651	NUT, LOCK, 16MM	1
13	90434-KN6-930	WASHER, 16MM	1
14	91304-KK3-830	O-RING, 9.4X2.4	2
15	92101-05020-0B	BOLT, HEX., 5X20	2
16	93600-04012-1A	SCREW, FLAT, 4X12	2
17	93700-05012-0A	SCREW, OVAL, 5X12	3
18	94251-08000	PIN, LOCK, 8MM	1

08-059-1599



KEHG - GL156S

No.	Part Number	Description	Q'ty
1	11341-KEH-663	COVER, L. CRANKCASE	1
2	11361-KEH-930	COVER, L. RR. CRANKCASE	1
3	11363-437-620	RUBBER, RR. COVER MOUNTING	1
4	11395-KCJ-710	GASKET, L. COVER	1
5	90084-KCJ-710	CAP, A.C. GENERATOR	1
6	90087-KCJ-710	CAP, 30MM	1
7	90703-HC4-000	PIN, DOWEL, 10X14	2
8	91303-MG7-003	O-RING, 13.8X2.5	1
9	91356-425-004	O-RING, 29.7X2.4 (NOK)	1
10	96001-06025-00	BOLT, FLANGE, 6X25	2
11	96001-06040-00	BOLT, FLANGE, 6X40	5
12	96001-06050-00	BOLT, FLANGE, 6X50	1
13	96001-06060-00	BOLT, FLANGE, 6X60	1
14	96001-06070-00	BOLT, FLANGE, 6X70	1

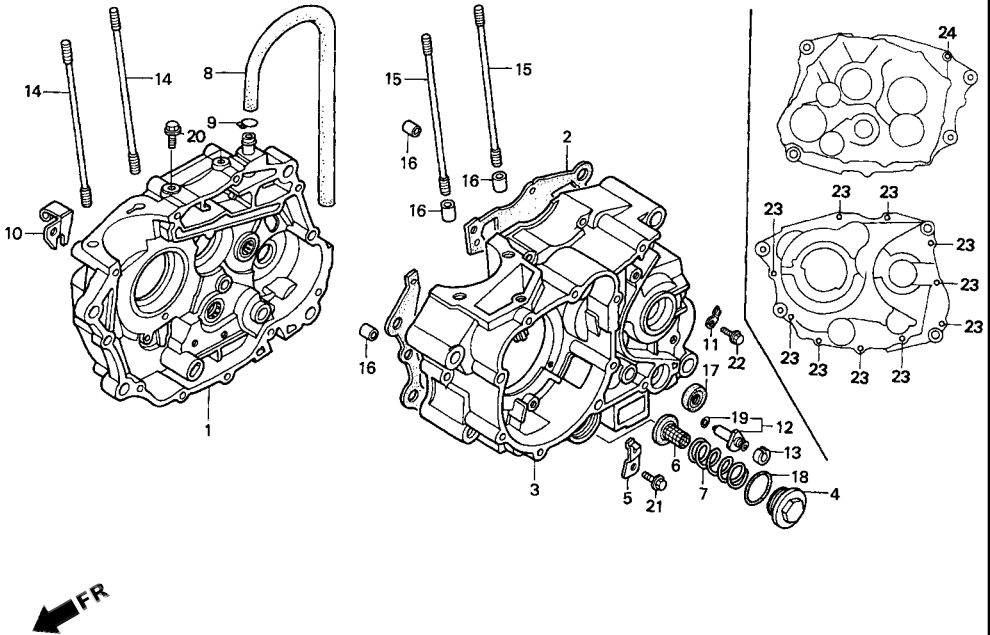


KEHG - GL156S

No.	Part Number	Description	Q'ty
1	30300-HA0-034	IGNITION PULSE GENERATOR ASSY.	1
2	31110-KEH-901	FLYWHEEL COMP 1	1
3	31120-KEH-901	STATOR COMP 1	1
4	32975-KEH-900	GUIDE, A.C. GENERATOR CORD 1	1
5	90003-MN4-000	BOLT, FLANGE, 10X35 1	1
6	90089-KAS-900	BOLT, FLANGE SOCKET, 5X14 2	2
7	90403-KN6-930	WASHER, 10X24 1	1
8	96600-06022-00	BOLT, SOCKET, 6X22 2	2

E - 10

Crankcase

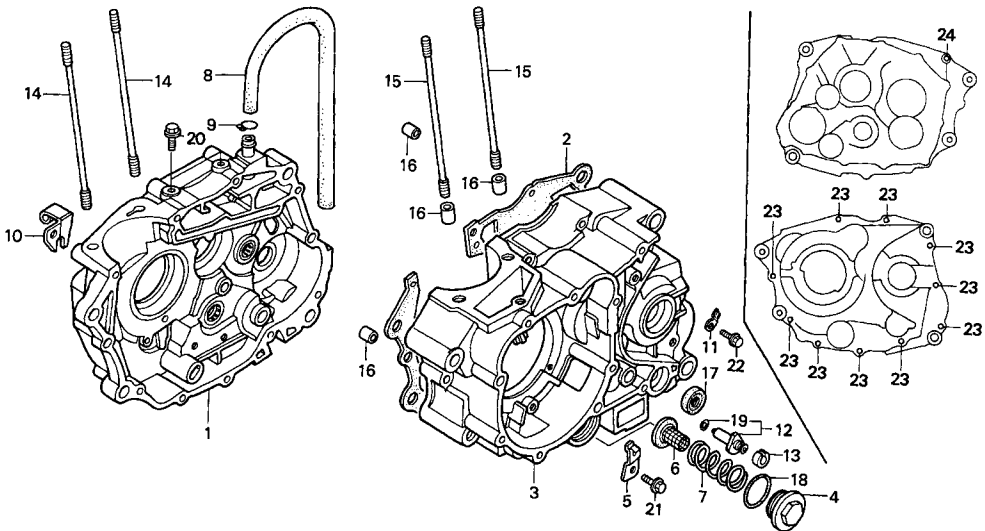


KEHG - GL156S

No.	Part Number	Description	Q'ty
1	11100-KCJ-711	CRANKCASE COMP., R	1
2	11191-KCJ-710	GASKET, CRANKCASE	1
3	11200-KCJ-710	CRANKCASE COMP., L	1
4	12361-383-000	CAP, TAPPET ADJUSTING HOLE	1
5	14513-KBB-900	PLATE, CAM CHAIN SETTING	1
6	15421-107-000	SCREEN, OIL FILTER	1
7	15426-107-000	SPRING, OIL FILTER SCREEN	1
8	15761-KCJ-710	TUBE, BREATHER	1
9	15772-292-010	CLIP, BREATHER TUBE	1
10	22838-437-000	HOLDER, CLUTCH WIRE	1
11	32976-KCT-690	CLAMPER, WIRE HARNESS	1
12	35750-GS3-004	CONTACT, NEUTRAL SWITCH	1
13	35752-KCT-690	SPACER, NEUTRAL SWITCH	1
14	90031-KFB-000	BOLT A, CYLINDER STUD	2
15	90031-KFB-000	BOLT B. CYLINDER STUD	2
16	94301-10140	PIN, DOWEL, 10X14	4
17	91206-286-014	OIL SEAL, 14X28X7	1
18	91303-KK3-831	O-RING, 35X3	1
19	91312-107-000	O-RING, 7X1.7	1
20	95701-06012-00	BOLT, FLANGE, 6X12	2

E - 10

Crankcase



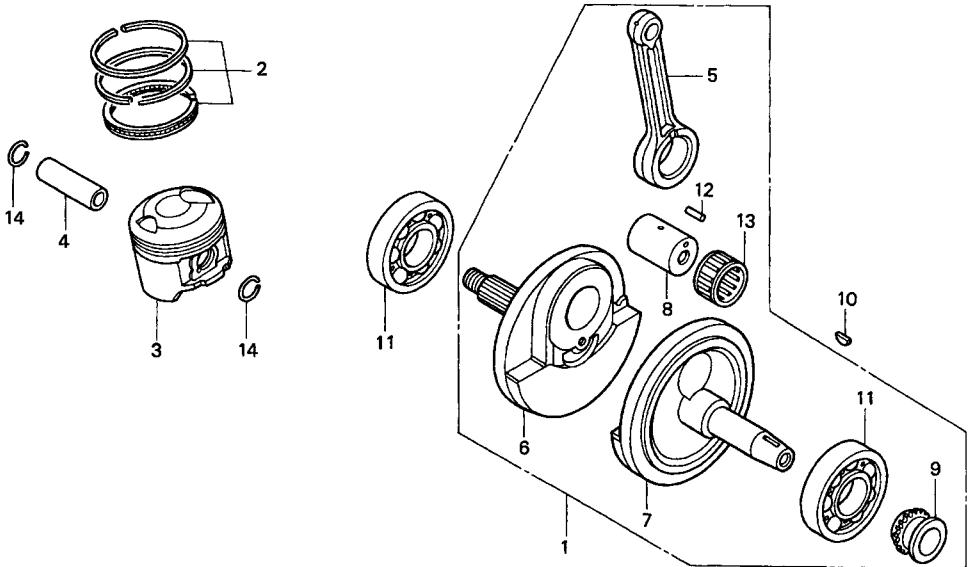
KEHG - GL156S

No.	Part Number	Description	Q'ty
21	95701-06012-08	BOLT, FLANGE, 6X12	1
22	96001-06014-00	BOLT, FLANGE, 6X14	1
23	96001-06050-00	BOLT, FLANGE, 6X50	10
24	96001-06060-00	BOLT, FLANGE, 6X60	1

08-03-1993

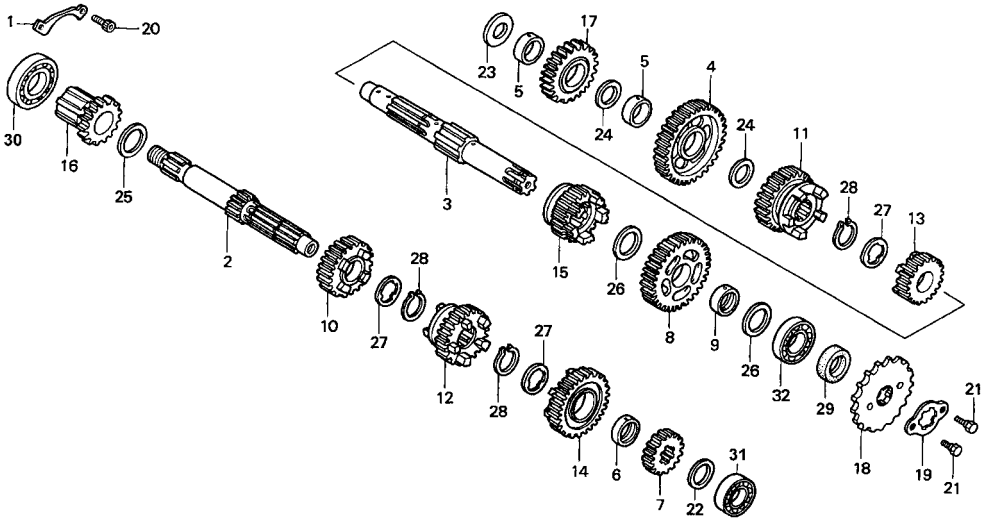
E - 11

Crankshaft/Piston



KEHG - GL156S

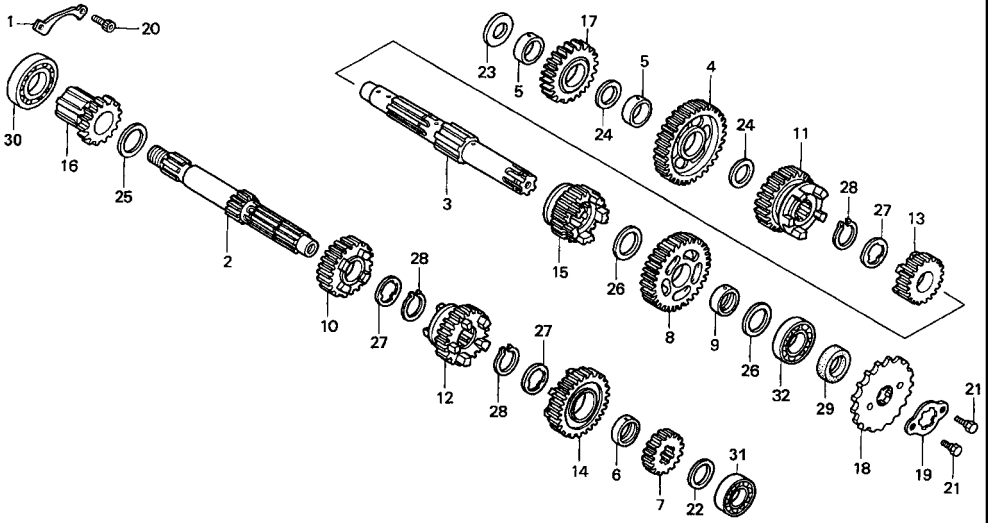
No.	Part Number	Description	Q'ty
1	13000-KEH-900	CRANKSHAFT COMP	1
2	13011-KCJ-305	RING SET, PISTON (STD.)	1
	13021-KCJ-305	RING SET, PISTON (0.25)	1
	13031-KCJ-305	RING SET, PISTON (0.50)	1
3	13101-KEH-900	PISTON (STD.)	1
	13102-KEH-305	PISTON (0.25)	1
	13103-KEH-305	PISTON (0.50)	1
4	13111-440-000	PIN, PISTON	1
5	13201-KCN-300	ROD, CONNECTING	1
6	13311-KEH-900	CRANKSHAFT, R	1
7	13321-KEH-900	CRANKSHAFT, L	1
8	13380-KCN-300	PIN COMP., CRANK	1
9	14311-KN6-931	SPROCKET, TIMING (17T)	1
10	90701-HB6-010	KEY, WOODRUFF, 25X14X4	1
11	91001-KCN-003	BEARING, RADIAL BALL, 28X72X18	2
12	91102-KC6-003	ROLLER, 4X14.8 A (RED)	18
	91103-KC6-003	ROLLER, 4X14.8 B (BLUE)	18
	91104-KC6-003	ROLLER, 4X14.8 C (WHITE)	18
13	91105-KW3-003	RETAINER, CONNECTING ROD LARGE END	1
14	94601-15001	CLIP, PISTON PIN, 15MM	2



KEHG - GL156S

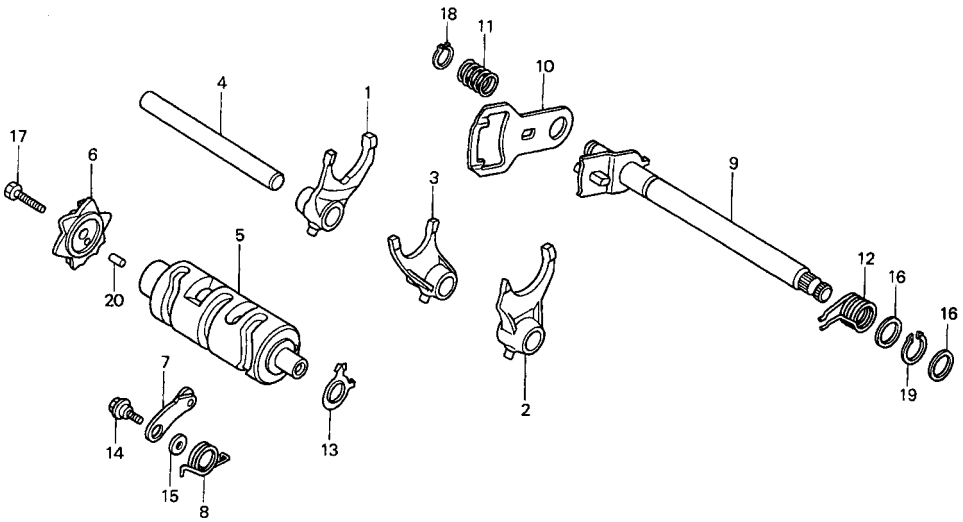
008-037-1593

No.	Part Number	Description	Q'ty
1	11108-KCN-000	PLATE, BEARING SETTING	1
2	23211-KCT-690	MAINSHAFT, TRANSMISSION	1
3	23221-KCT-690	COUNTERSHAFT, TRANSMISSION	1
4	23426-KCN-000	GEAR, COUNTERSHAFT LOW (36T)	1
5	23427-439-000	COLLAR, COUNTERSHAFT LOW GEAR.	2
6	23431-KFB-000	BUSH, 20MM	1
7	23441-KCN-000	GEAR, MAINSHAFT SECOND	1
8	23451-KCN-000	GEAR, COUNTERSHAFT SECOND (31T)	1
9	23452-KW1-900	BUSH, 20X23X9	1
10	23461-KCN-000	GEAR, MAINSHAFT THIRD (19T)	1
11	23471-KCN-000	GEAR, COUNTERSHAFT THIRD (24T)	1
12	23481-KCN-000	GEAR, MAINSHAFT FOURTH (22T)	1
13	23491-KCN-000	GEAR, COUNTERSHAFT FOURTH (22T)	1
14	23501-KCN-000	GEAR, MAINSHAFT FIFTH (31T)	1
15	23511-KCN-010	GEAR, COUNTERSHAFT FIFTH (26T)	1
16	23520-KCT-690	GEAR COMP., STARTER	1
17	23531-KCT-690	GEAR ONLY, IDLE STARTER	1
18	23801-KCT-691	SPROCKET, DRIVE (14T)	1
19	23811-KR3-600	PLATE A2, FIXING	1
20	90001-KN6-930	BOLT, SOCKET, 6X16	2



KEHG - GL156S

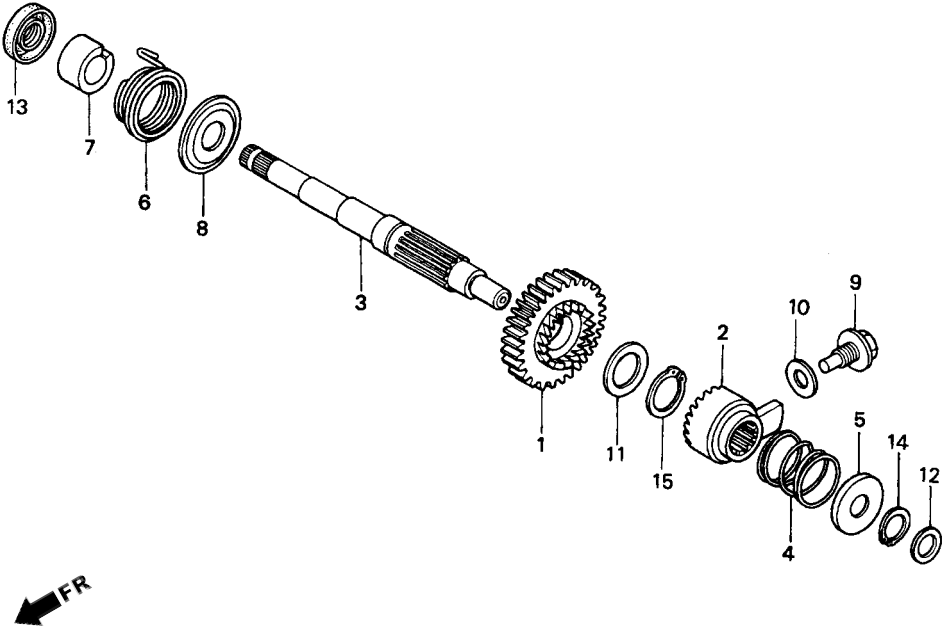
No.	Part Number	Description	Q'ty
21	90084-041-000	BOLT, DRIVE SPROCKET FIXING	2
22	90451-107-000	WASHER, THRUST, 15MM	1
23	90451-365-000	WASHER, THRUST, 15MM	1
24	90452-437-000	WASHER, THRUST, 16.5MM	2
25	90453-107-000	WASHER A, THRUST, 20MM	1
26	90454-107-000	WASHER, THRUST, 20MM	2
27	90455-107-000	WASHER A, SPLINE, 20MM	3
28	90605-200-000	SET RING, 20MM	3
29	91201-030-033	OIL SEAL, 20X34X7	1
30	HB6006	BEARING, RADIAL BALL, 6006	1
31	HB6202	BEARING, RADIAL BALL, 6202	1
32	HB6204	BEARING, RADIAL BALL, 6204	1



KEHG - GL156S

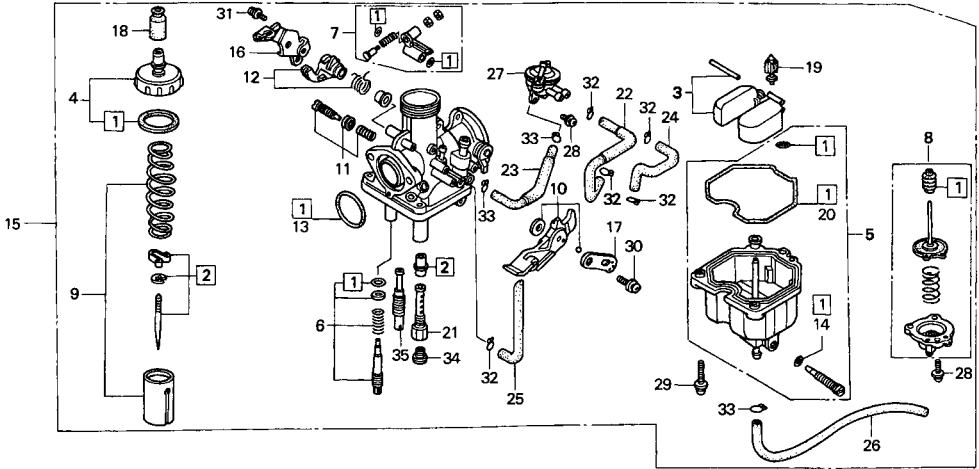
008-037-1399

No.	Part Number	Description	Q'ty
1	24211-446-650	FORK, R. GEARSHIFT	1
2	24221-427-010	FORK, L. GEARSHIFT	1
3	24231-107-010	FORK, CENTER GEARSHIFT	1
4	24241-KCS-650	SHAFT, GEARSHIFT FORK GUIDE	1
5	24301-KCN-000	DRUM, GEARSHIFT	1
6	24411-KCN-000	CAM, GEARSHIFT	1
7	24430-KW1-900	STOPPER COMP., GEARSHIFT DRUM.	1
8	24435-KEH-930	SPRING, SHIFT DRUM STOPPER	1
9	24610-KC6-000	SPINDLE COMP., GEARSHIFT	1
10	24621-107-760	PLATE, GEARSHIFT	1
11	24631-107-000	SPRING, GEARSHIFT PLATE	1
12	24651-107-000	SPRING, GEARSHIFT RETURN	1
13	35753-KG2-951	ROTOR, NEUTRAL SWITCH	1
14	90023-KW1-900	BOLT, GEARSHIFT DRUM STOPPER ARM PIVOT	1
15	90408-KW1-900	WASHER, 6MM	1
16	90451-001-000	WASHER, THRUST, 14MM	2
17	92101-06025-0A	BOLT, HEX., 6X25	1
18	94510-12000	CIRCLIP, EXTERNAL, 12MM	1
19	94510-14000	CIRCLIP, EXTERNAL, 14MM	1
20	96220-40100	ROLLER, 4X10	1



KEHG - GL156S

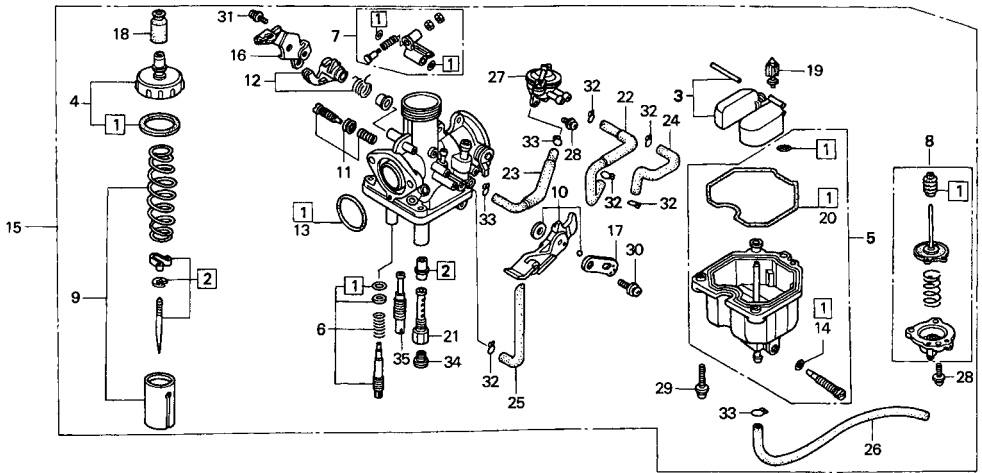
No.	Part Number	Description	Q'ty
1	28211-KCT-690	PINION, KICK STARTER	1
2	28221-437-000	RATCHET, KICK STARTER	1
3	28251-KC6-000	SPINDLE, KICK STARTER	1
4	28253-KA2-000	SPRING, KICK STARTER RATCHET	1
5	28254-437-000	SEAT, RATCHET SPRING	1
6	28261-KCJ-710	SPRING, KICK STARTER	1
7	28262-437-000	COLLAR, KICK SPINDLE	1
8	28263-KCJ-710	RETAINER, STARTER SPRING	1
9	90004-437-000	BOLT, KICK RATCHET	1
10	90401-KCJ-710	WASHER, 12MM	1
11	90453-107-000	WASHERA, THRUST, 20MM	1
12	90459-107-000	WASHER, THRUST, 12MM	1
13	91204-259-004	OIL SEAL, 16X28X7	1
14	94510-16000	CIRCLIP, EXTERNAL, 16MM	1
15	94510-20000	CIRCLIP, EXTERNAL, 20MM	1



KEHG - GL156S

No.	Part Number	Description	Q'ty
1	16010-KEH-900	GASKET SET	1
2	16012-KEH-931	NEEDLE SET, JET	1
3	16013-KEH-900	FLOAT SET	1
4	16014-KEZ-910	TOP SET	1
5	16015-KEH-900	CHAMBER SET, FLOAT	1
6	16016-KCT-690	SCREW SET A	1
7	16018-KEH-900	ARM SET, PUMP	1
8	16021-KC5-004	DIAPHRAGM SET, PUMP	1
9	16022-KEH-931	VALVE SET, THROTTLE	1
10	16025-KCN-751	LEVER SET, CHOKE	1
11	16028-KEH-900	SCREW SET B	1
12	16031-KEH-900	ARM SET, PUMP	1
13	16075-GHB-B70	O-RING, 2.4X29	1
14	16075-GHB-640	O-RING, 1.3X4.3	1
15	16100-KEH-931	CARBURETOR ASSY (PDD1B A)	1
16	16119-KEH-931	PLATE, STAY	1
17	16119-440-004	PLATE, STAY	1
18	16148-KB1-921	CAP, CABLE SEALING	1
19	16155-413-751	VALVE COMP., FLOAT	1
20	16163-KCS-920	GASKET, FLOAT CHAMBER	1

008 059 159 90

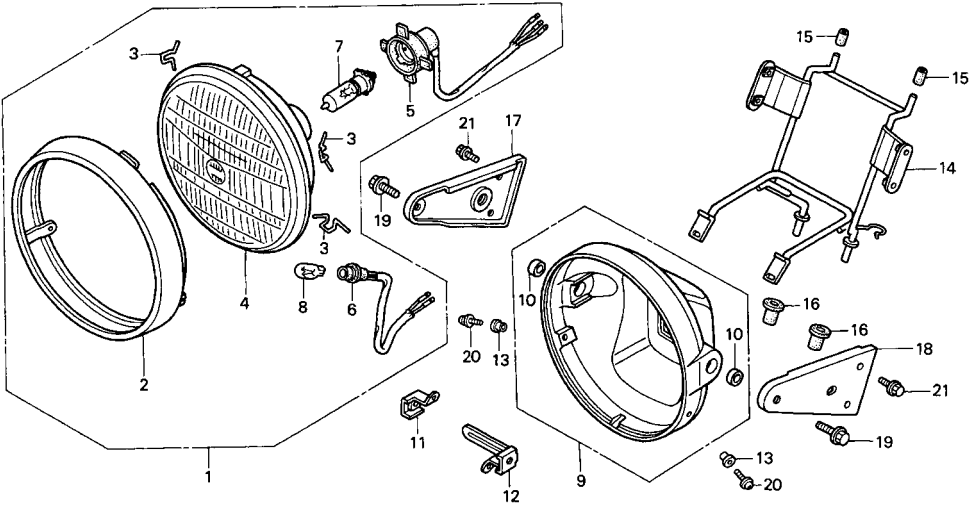


KEHG - GL156S

No.	Part Number	Description	Q'ty
21	16165-KEH-900	HOLDER, NEEDLE JET	1
22	16196-KEH-900	TUBE COMP	1
23	16197-KEH-900	TUBE COMP	1
24	16198-KEH-900	TUBE	1
25	16199-KEH-900	TUBE, AIR VENT	1
26	16199-KEH-931	TUBE, 3.5X460	1
27	16510-KEH-900	VALVE ASSY., AIR CUT	1
28	93892-04012-08	SCREW-WASHER, 4X12	5
29	93892-04016-08	SCREW-WASHER, 4X16	3
30	93892-05012-08	SCREW-WASHER, 5X12	1
31	93892-05014-08	SCREW-WASHER, 5X14	1
32	95002-02089	CLIP, TUBE (B8)	5
33	95002-02659	CLIP, TUBE (B6.5)	3
34	99101-GHB1080	JET, MAIN, #108	1
35	99103-4370380	JET, SLOW, #38	1

F - 1

Headlight

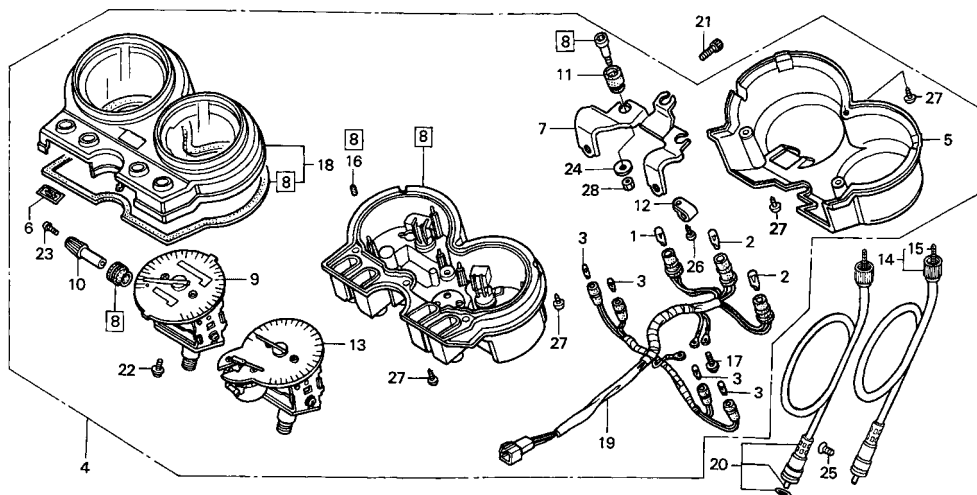


KEHG - GL156S

3

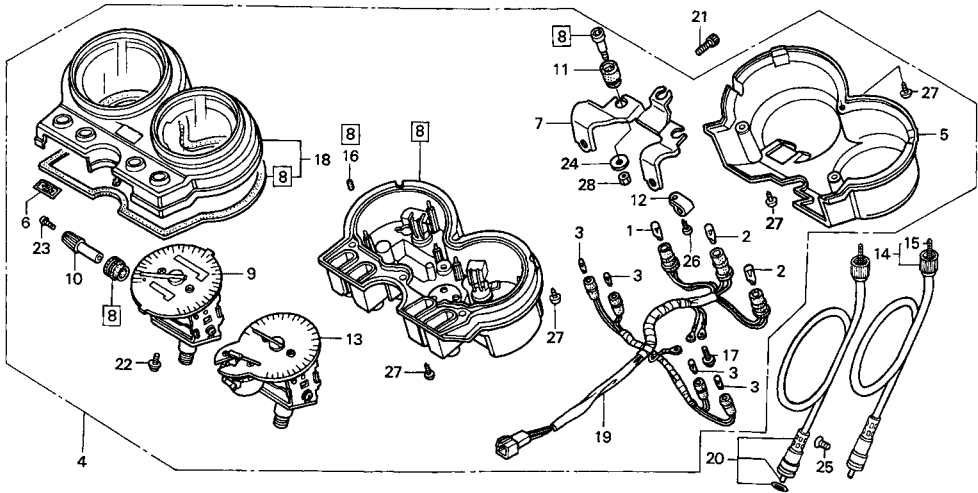
No.	Part Number	Description	Q'ty
1	33100-KCJ-730	HEADLIGHT ASSY	1
2	33101-KCT-691	RIM COMP, HEADLIGHT	1
3	33108-369-003	SPRING, HEADLIGHT SETTING	3
4	33120-KCJ-691	HEADLIGHT UNIT	1
5	33130-KCJ-691	SOCKET COMP, HEADLIGHT	1
6	33150-KCJ-691	SOCKET COMP, POSITIONLIGHT	1
7	34901-KC5-003	BULB, HEADLIGHT (12V 35/36.5W)	1
8	34908-GAC-003	BULB, WEDGE BASE (12V 3.4W)	1
9	61300-KEH-930	CASE SET, HEADLIGHT	1
10	61302-KBW-900	COLLAR, HEADLIGHT CASE	2
11	61303-KCJ-710	NUT, R. HEADLIGHT CASE	1
12	61304-KCJ-710	NUT, L. HEADLIGHT CASE	1
13	61304-379-690	COLLAR, HEADLIGHT SETTING	2
14	61311-KEH-930	STAY, HEADLIGHT	1
15	61312-KBP-900	BOOT, HEADLIGHT BRACKET	2
16	61312-358-300	GROMMET, HEADLIGHT CASE	2
17	61313-KEH-930	BRACKET, R. HEADLIGHT CASE	1
18	61314-KEH-930	BRACKET, L. HEADLIGHT CASE	1
19	90100-438-850	BOLT, SPECIAL FLANGE, 8X22	2
20	93892-05016-07	SCREW-WASHER, 5X16	2
21	96001-06010-00	BOLT, FLANGE, 6X10	4

06.01.1998



KEHG - GL156S

No.	Part Number	Description	Q'ty
1	34908-GW3-980	BULB, WEDGE BASE (12V 1.7W)	1
2	34908-GW3-980	BULB, WEDGE BASE (12V 1.7W)	2
3	34909-GW3-980	BULB, WEDGE BASE (14V 3W)	4
4	37100-KEH-950	METER ASSY., COMBINATION	1
5	37110-KEH-950	COVER	1
6	37113-KEH-930	MARK, METER	1
7	37120-KEH-950	BRACKET	1
8	37130-KEH-950	CASE ASSY., UNDER	1
9	37200-KEH-950	SPEEDOMETER ASSY	1
10	37213-KCJ-710	KNOB	1
11	37215-KEH-950	CUSHION, RUBBER	3
12	37216-KEH-950	CLAMP	1
13	37250-KEH-950	TACHOMETER ASSY	1
14	37260-KEH-930	CABLE ASSY., TACHOMETER	1
15	37261-KEH-930	CABLE, INNER	1
16	37304-MZO-760	RUBBER, CUSHION	4
17	37305-GW3-780	SCREW-WASHER, 3X22	3
18	37610-KEH-950	CASE ASSY., UPPER	1
19	37619-KEH-951	SOCKET COMP	1
20	44830-KEH-930	CABLE ASSY., SPEEDOMETER	1



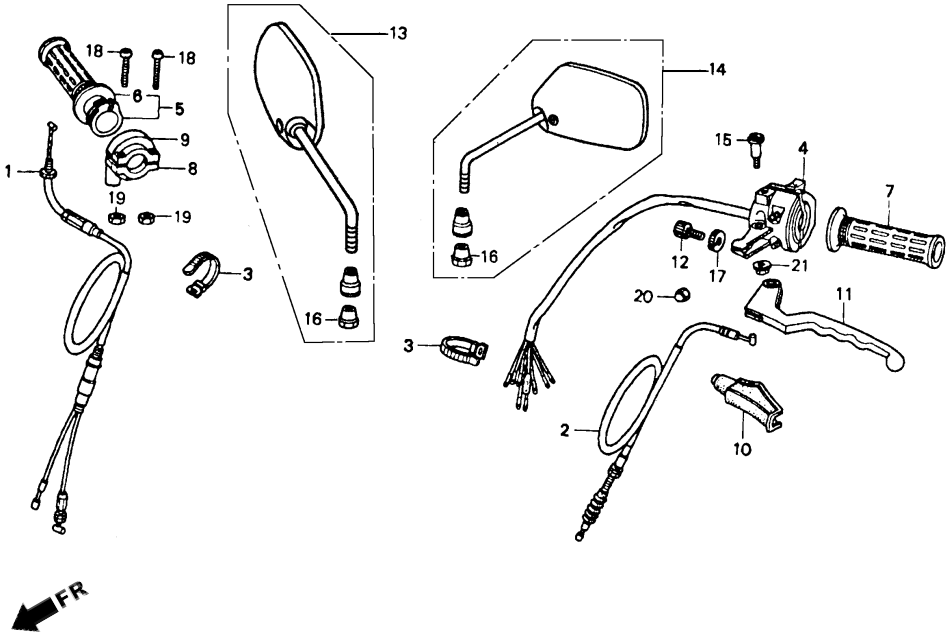
KEHG - GL156S

3

No.	Part Number	Description	Q'ty
21	90010-KCJ-690	BOLT, SOCKET, 8MM	2
22	90035-GW3-980	SCREW-WASHER, SPECIAL, 4X10	4
23	90158-KCJ-710	SCREW, PAN, 2X6	1
24	90525-KCJ-710	WASHER, PLAIN	3
25	93700-05016-0A	SCREW, OVAL, 5X16	1
26	93903-24320	SCREW, TAPPING, 4X12	1
27	93903-24410	SCREW, TAPPING, 4X16	6
28	94001-06000-0S	NUT, HEX., 6MM	3

F - 3

Handle lever/Switch/Cable



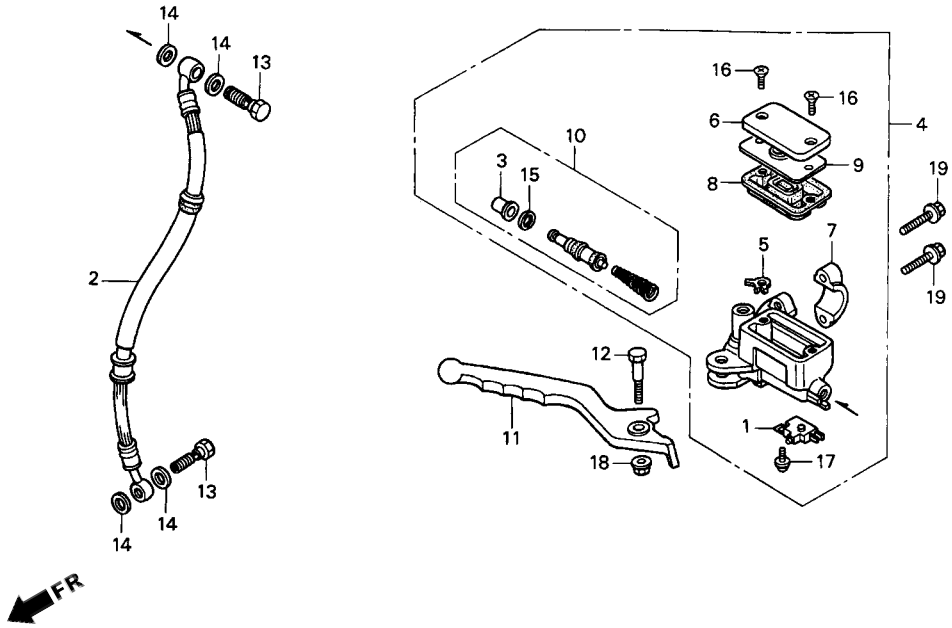
KEHG - GL156S

No.	Part Number	Description	Q'ty
1	17910-KEH-950	CABLE COMP., THROTTLE	1
2	22870-KEH-930	CABLE COMP., CLUTCH	1
3	32161-404-000	BAND B1, WIRE	2
4	35200-KEH-950	SWITCH ASSY., WINKER	1
5	53140-KEH-900	GRIP COMP., R	1
6	53165-422-000	GRIP, R. HANDLE	1
7	53166-422-000	GRIP, L. HANDLE	1
8	53167-KW6-900	HOUSING, UNDER THROTTLE	1
9	53168-KW6-900	HOUSING, UPPER THROTTLE	1
10	53174-KC5-000	COVER, L. HANDLE LEVER	1
11	53178-KC6-900	LEVER, L. STEERING HANDLE	1
12	53192-268-000	BOLT, WIRE ADJUSTING	1
13	88110-KEH-930	MIRROR ASSY., R. BACK	1
14	88120-KEH-930	MIRROR ASSY., L. BACK	1
15	90113-422-000	BOLT, L. STEERING HANDLE LEVER PIVOT	1
16	90314-KET-900	NUT, LOCK	2
17	90321-315-670	NUT, FIXING	1
18	93500-05022-0G	SCREW, PAN, 5X22	2
19	94002-06000-0S	NUT, HEX., 6 MM	2
20	94021-05070-0S	NUT, CAP, 5 MM	2
21	94050-06000	NUT, FLANGE, 6MM	1

3

F - 4

Front brake master cylinder



KEHG - GL156S

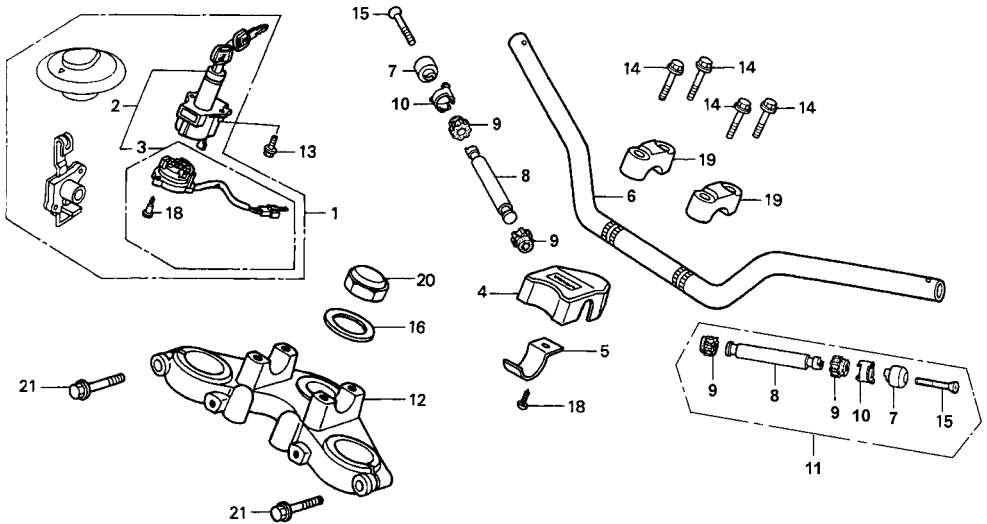
3

No.	Part Number	Description	Q'ty
1	35340-MA5-671	SWITCH ASSY., FR. STOP	1
2	45126-KEH-931	HOSE COMP, FR. BRAKE	1
3	45504-410-003	BOOT COMP	1
4	45510-KCJ-305	CYLINDER SUB ASSY., FR. BRAKE MASTER	1
5	45512-MA6-006	PROTECTOR	1
6	45513-HA2-006	CAP, MASTER CYLINDER	1
7	45517-166-006	HOLDER, MASTER CYLINDER	1
8	45520-MG7-006	DIAPHRAGM	1
9	45521-HA2-006	PLATE, DIAPHRAGM	1
10	45530-471-832	CYLINDER SET, MASTER	1
11	53175-KEH-900	LEVER, R. STEERING HANDLE	1
12	90114-166-006	BOLT, HANDLE LEVER PIVOT	1
13	90145-MS9-612	BOLT, OIL, 10X22	2
14	90545-300-000	WASHER, OIL BOLT	4
15	90651-MA5-671	CIRCLIP	1
16	93600-04012-1G	SCREW, FLAT, 4X12	2
17	93893-04012-07	SCREW-WASHER, 4X12	1
18	94050-06000	NUT, FLANGE, 6 MM	1
19	96001-06022-07	BOLT, FLANGE, 6X22	2

06.01.1998

F - 5

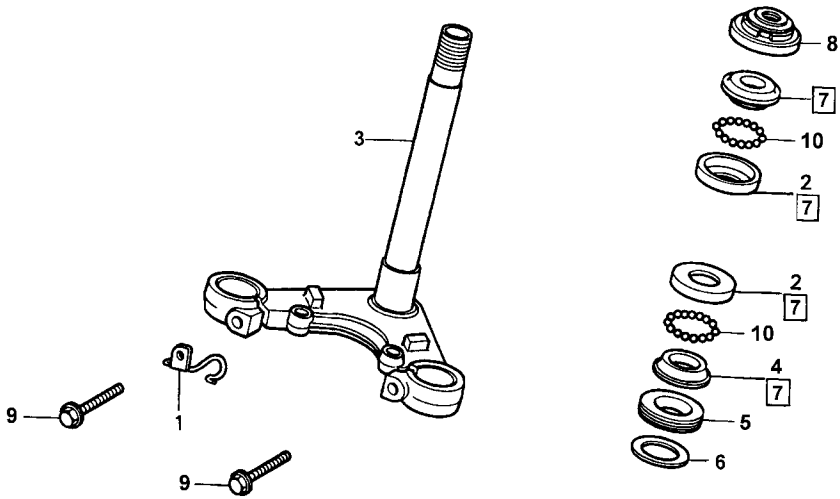
Handle pipe/Top bridge



KEHG - GL156S

No.	Part Number	Description	Q'ty
1	35010-KEH-950	KEY SET	1
2	35100-KEH-950	SWITCHASSY., COMBINATION & LOCK	1
3	35101-KEH-950	BASE COMP., CONTACT	1
4	35105-KCJ-690	COVER, COMBINATION SWITCH	1
5	35106-KCJ-690	STAY, COMBINATION SWITCH COVER SETTING	1
6	53100-KEH-930	PIPE, STEERING HANDLE	1
7	53104-KEH-930	WEIGHT, STEERING HANDLE	2
8	53104-KR3-000	WEIGHT B. HANDLE	2
9	53107-MB6-630	RUBBER B. HANDLE WEIGHT	4
10	53108-MB6-630	RING, HANDLE WEIGHT SNAP	2
11	53110-KEH-930	WEIGHT ASSY., HANDLE	2
12	53231-KCJ-690	BRIDGE, FORK TOP	1
13	90104-MJ1-000	BOLT, FLANGE, 8X19	2
14	90117-KW1-900	BOLT, FLANGE, 6X28	4
15	90191-KEH-930	SCREW, OVAL, 6X40	2
16	90503-051-870	WASHER, STEERING STEM	1
17	91059-MZ0-760	SCREW, TAPPING, 3X16	3
18	93903-25120	SCREW, TAPPING, 5X10	1
19	95014-21201	HOLDER A2, HANDLE PIPE UPPER	2
20	95020-15100	NUT E, STEERING STEM	1
21	95701-08040-07	BOLT, FLANGE, 8X40	2

3



KEHG - GL156S

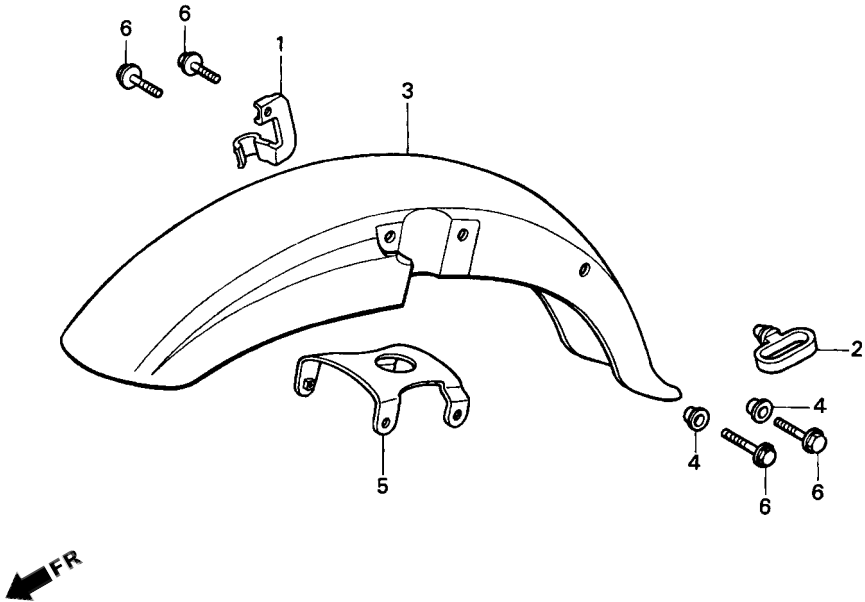
3

No.	Part Number	Description	Q'ty
1	45157-KEH-900	CLAMPER., FR. BRAKE HOSE	1
2	50301-041-010	RACE, STEERING TOP BALL	2
3	53200-KCJ-690	STEM COMP., STEERING	1
4	53212-030-010	RACE, STEERING BOTTOM CONE	1
5	53214-001-010	DUST SEAL, STEERING HEAD	1
6	53215-001-000	WASHER, STEERING HEAD DUST SEAL	1
7	532A1-028-010	RACE, STEERING SET	1
8	53220-074-001	THREAD COMP., STEERING HEAD TOP	1
9	95701-08040-07	BOLT, FLANGE, 8X40	2
10	96211-06000	BALL, STEEL, #6 (3/16)	42

06.01.1998

F - 7

Front fender



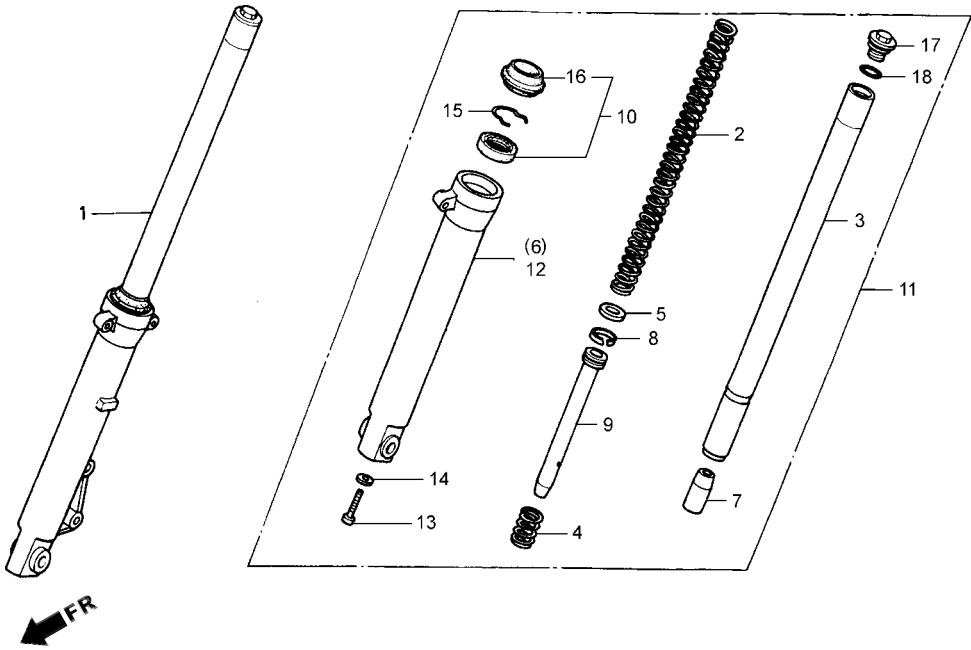
KEHG - GL156S

No.	Part Number	Description	Q'ty
1	45156-KBW-900	CLAMPER, FR. BRAKE HOSE	1
2	45451-473-000	GUIDE, FR. FENDER CABLE	1
3	61100-KEH-930FMB	FENDER, FR. *2TN321* BLACK	1
	61100-KEH-930FMH	FENDER, FR. *2TN680* SILVER	1
4	61101-KCJ-690	COLLAR, FR. FENDER SETTING	4
5	61102-KEH-930	STAY, FR. FENDER	1
6	96001-06025-00	BOLT, FLANGE, 6X25	4

3

F - 8

Front fork

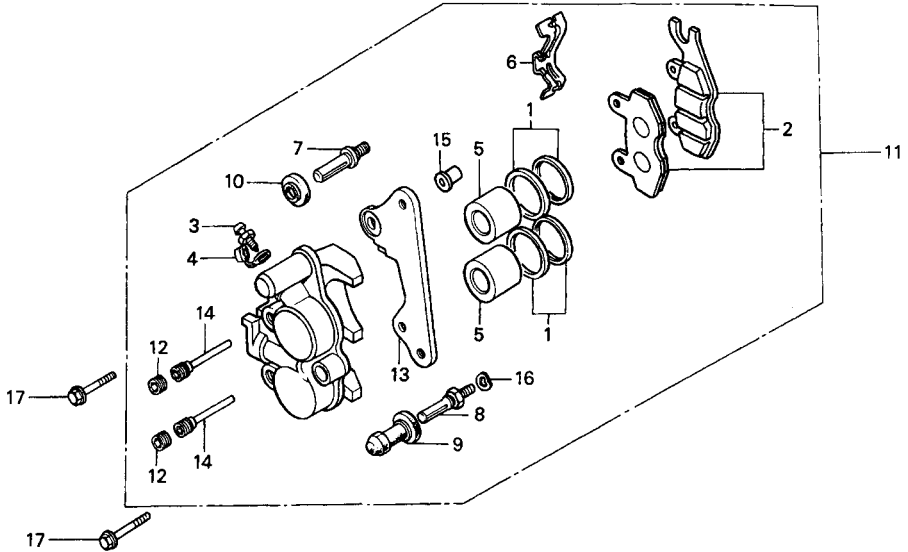


KEHG - GL156S

3

No.	Part Number	Description	Q'ty
1	51400-KEH-950	FORK ASSY., R. FR	1
2	51401-KEH-950	SPRING, FR. CUSHION	2
3	51410-KEH-950	PIPE COMP., FR. FORK	2
4	51412-369-000	SPRING, FR. CUSHION REBOUND	2
5	51412-KEJ-900	RING, BACK UP	2
6	51420-KCJ-691	CASE COMP., R. BOTTOM	1
7	51432-KEJ-900	PIECE, OIL LOCK	2
8	51437-KC2-890	RING, PISTON	2
9	51440-KEW-900	PIPE, SEAT	2
10	51490-KEJ-900	SEAL SET, FR. FORK	2
11	51500-KEH-950	FORK ASSY., L. FR	1
12	51520-KCJ-691	CASE COMP., L. BOTTOM	1
13	90116-KCS-690	BOLT, SOCKET, 8 MM	2
14	90544-283-000	WASHER, SPECIAL, 8 MM	2
15	90601-354-000	RING OIL, SEAL STOPPER	2
16	91254-KEJ-900	DUST SEAL	2
17	94605-27101	BOLT, FR. FORK	2
18	94608-50000	O-RING, 23X2.8	2

06.01.1998

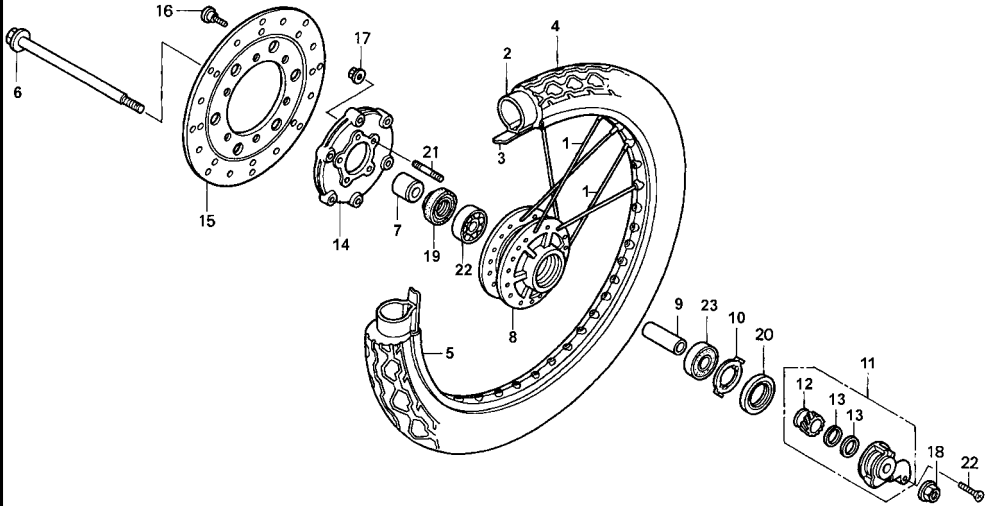


KEHG - GL156S

No.	Part Number	Description	Q'ty
1	06451-166-405	SEAL SET, PISTON	2
2	06455-KR3-405	PAD SET, FR	1
3	43352-568-003	SCREW, BLEEDER	1
4	43353-461-771	CAP, BLEEDER	1
5	45107-MN5-006	PISTON	2
6	45108-ML4-006	SPRING, PAD	1
7	45131-GE2-006	PINA, BOLT	1
8	45131-GZ0-006	BOLT, PIN	1
9	45132-166-016	BOOT, PIN BOLT	1
10	45133-MA3-006	BOOT B	1
11	45200-KK7-741	CALIPER ASSY., R. FR.	1
12	45203-MG3-016	PLUG, PIN	2
13	45210-KR3-871	BRACKET, R	1
14	45215-KA3-732	PIN, HANGER	2
15	45216-KW6-901	NUT, TORQUE	1
16	45216-166-006	WASHER, WAVE	1
17	90155-KY4-901	BOLT, FLANGE, 8X25	2

F - 10

Front wheel



KEHG - GL156S

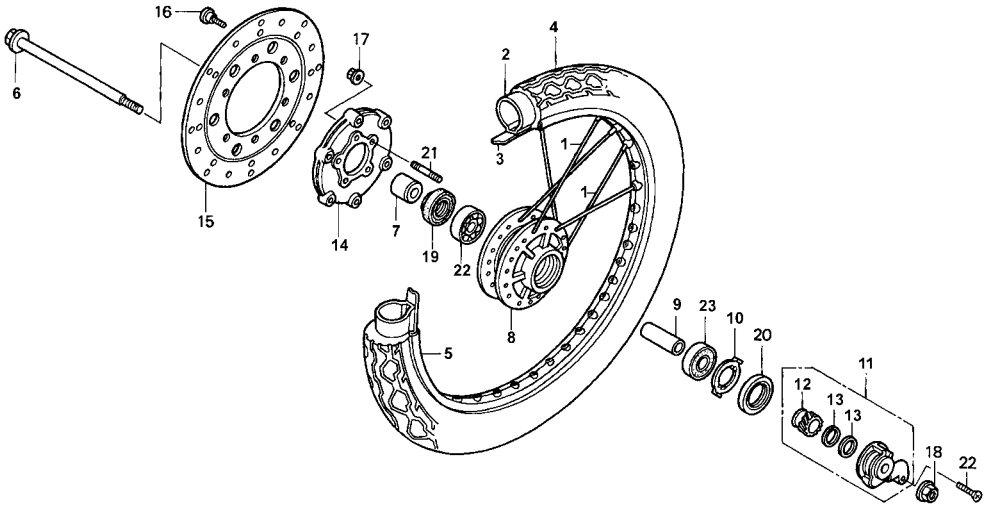
3

No.	Part Number	Description	Q'ty
1	10-196	SPOKE SET 27519	1
2	25018-00000	TUBE, TIRE (2.50-18)	1
3		FLAP, TIRE	1
4	27518-FF216	TIRE, FR.	1
5	42701-028-013	RIM, FR. WHEEL (1.40X18)	1
6	44301-KC5-920	AXLE, FR. WHEEL	1
7	44311-046-000	COLLAR, FR. WHEEL SIDE	1
8	44610-KCJ-690FMH	HUB COMP., FR. WHEEL *NH255M* SILVER METALLIC	1
9	44620-400-000	COLLAR, FR. AXLE DISTANCE	1
10	44680-410-000	RETAINER, GEAR BOX	1
11	44800-KW1-912	BOX ASSY., SPEEDOMETER GEAR	1
12	44806-399-701	GEAR, SPEEDOMETER	1
13	44808-399-701	WASHER, SPEEDOMETER GEAR	2
14	45122-KCJ-690FMH	HUB, FR. BRAKE *NH255M* SILVER METALLIC	1
15	45251-KR3-001	DISK, FR. BRAKE	1
16	90105-MK5-010	BOLT, DISK, 8X22	6
17	90301-473-003	NUT, U. 6MM	5
18	90305-169-000	NUT, AXLE, 12MM	1
19	91252-030-003H	OIL SEAL, 23X37X7	1
20	91258-410-006H	DUST SEAL, 40X50X5	1

06.01.1998

F - 10

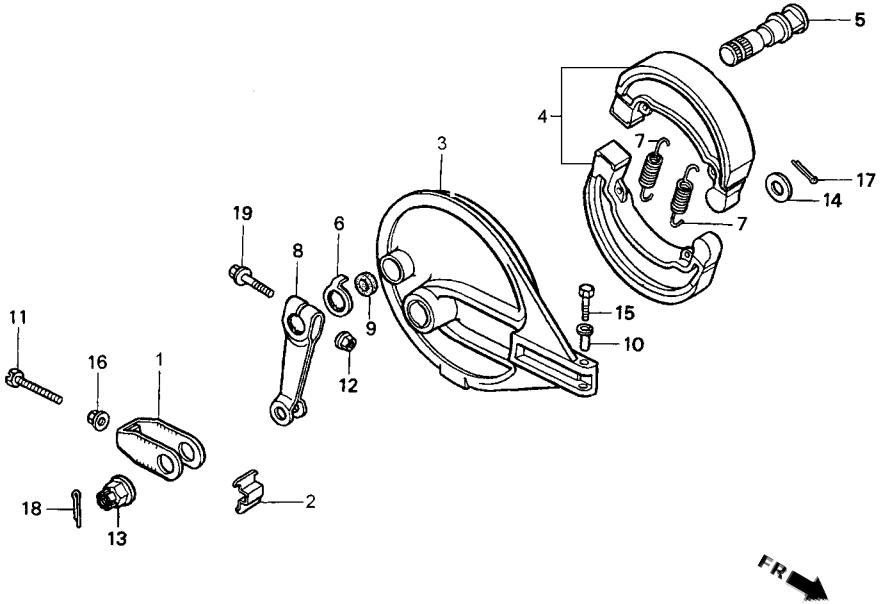
Front wheel



KEHG - GL156S

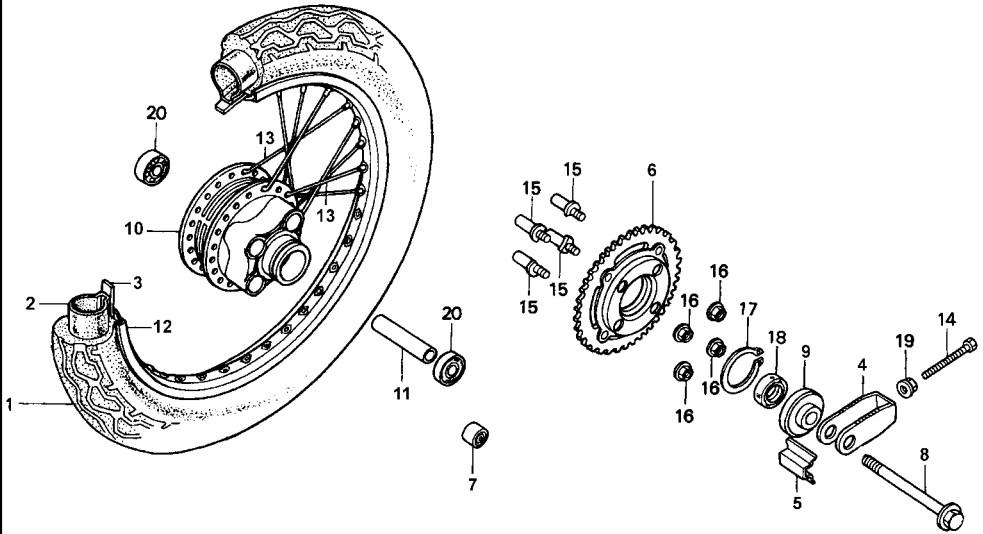
No.	Part Number	Description	Q'ty
21	92911-06018-0E	BOLT, STUD, 6X18	5
22	93700-05016-0A	SCREW, OVAL, 5X16	1
23	HB6301RS	BEARING, RADIAL BALL, 6301	2

3



KEHG - GL156S

No.	Part Number	Description	Q'ty
1	40543-KC5-000	ADJUSTER, CHAIN	1
2	40544-KC5-000	PLATE, RR. FORK END	1
3	43100-KEH-930FMH	PANEL COMP., RR. BRAKE *NH255M* SILVER METALLIC	1
4	43120-362-001	SHOE SET, RR. BRAKE	1
5	43141-ME4-000	CAM, RR. BRAKE	1
6	43145-399-001	INDICATOR, RR. BRAKE	1
7	43151-329-001	SPRING, RR. BRAKE SHOE	2
8	43410-KC5-001	ARM, RR. BRAKE	1
9	45134-250-000	DUST SEAL, BRAKE CAM	1
10	90008-KC5-001	COLLAR, STOPPER	1
11	90119-KC5-000	BOLT, CHAIN ADJUSTER	1
12	90301-473-003	NUT, U. 6MM	1
13	90305-401-680	NUT, AXLE, 14MM	1
14	90524-030-000	WASHER A, HANDLE HOLDER SETTING	1
15	92101-06032-0A	BOLT, HEX., 6X32	1
16	94050-08000	NUT, FLANGE, 8 MM	1
17	94201-20200	PIN, SPLIT, 2.0X20	1
18	94201-30200	PIN, SPLIT, 3.0X20	1
19	95701-06035-00	BOLT, FLANGE, 6X35	1



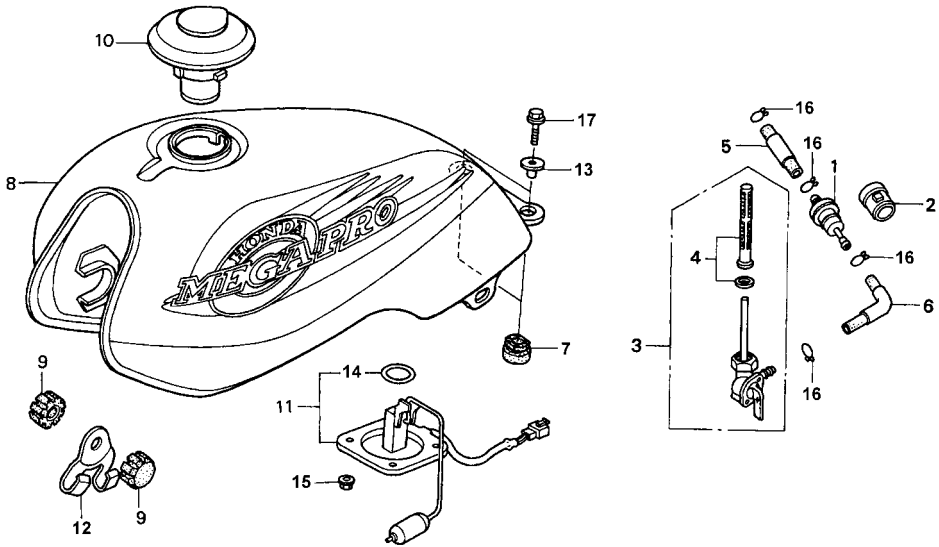
KEHG - GL156S

No.	Part Number	Description	Q'ty
1	30018-FR216	TIRE, RR.	1
2	27518-00000	TUBE, TIRE (2.75/3.00-18)	1
3		FLAP, TIRE	1
4	40543-KC5-000	ADJUSTER, CHAIN	1
5	40544-KC5-000	PLATE, RR. FORK END	1
6	41200-KEH-900	SPROCKET COMP., FINAL DRIVEN (46T)	1
7	41241-307-011	BUSH, RR. WHEEL DAMPER	4
8	42301-KC5-921	AXLE, RR. WHEEL	1
9	42304-KG2-950	COLLAR COMP., RR. WHEEL SIDE	1
10	42601-KEH-930FMH	HUB COMP., RR. WHEEL *NH255M* SILVER METALLIC	1
11	42620-107-010	COLLAR, RR. AXLE DISTANCE	1
12	42701-399-003	RIM, RR. WHEEL (1.60X18)	1
13	1109-1625	SPOKE SET	1
14	90119-KC5-000	BOLT, CHAIN ADJUSTER	1
15	90128-KE2-940	BOLT, DRIVEN SPROCKET FIXING	4
16	90308-382-670	NUT, FLANGE, 10MM	4
17	90664-216-001	CIRCLIP, 58MM	1
18	91257-230-004	OIL SEAL, 28X42X7	1
19	94050-08000	NUT, FLANGE, 8MM	1
20	HB6302RS	BEARING, RADIAL BALL, 6302	2

3

F - 13

Fuel tank

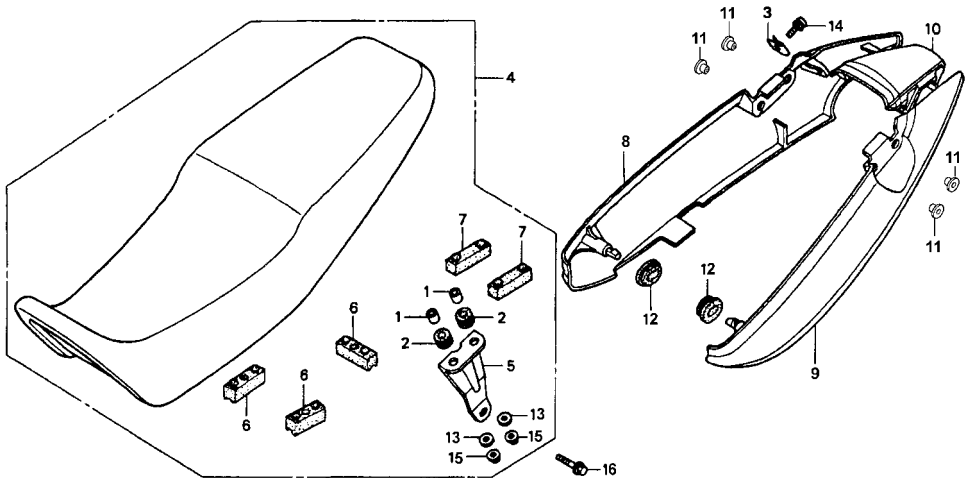


KEHG - GL156S

No.	Part Number	Description	Q'ty
1	16910-GB2-900	STRAINER COMP., FUEL	1
2	16915-GB2-000	SUSPENSION, STRAINER	1
3	16950-GF6-015	COCK ASSY., FUEL	1
4	16953-155-305	SCREEN SET, FUEL STRAINER	1
5	16955-KC6-910	TUBE COMP., FUEL (4.5X70)	1
6	1695A-KEH-900	TUBE COMP., FUEL (4.5X80)	1
7	17508-KEH-930	CUSHION, FUEL TANK REAR	2
8	17510-KEH-930FMB	TANK SET, FUEL (BLACK)	1
	17510-KEH-930FMH	TANK SET, FUEL (SILVER)	1
9	17611-286-000	CUSHION, FUEL TANK FR	2
10	17620-460-067	CAP COMP., FUEL FILLER	1
11	37010-KEH-950	UNIT SET, FUEL	1
12	45464-KEH-930	CLIP, WIRE HARNESS	1
13	90501-KEH-930	COLLAR, RR. FUEL TANK	2
14	91305-443-740	O-RING, 39.5X5	1
15	94050-06000	NUT, FLANGE, 6MM	4
16	95002-02080	CLIP, TUBE (B8)	4
17	95701-06032-00	BOLT, FLANGE, 6X32	2

F - 14

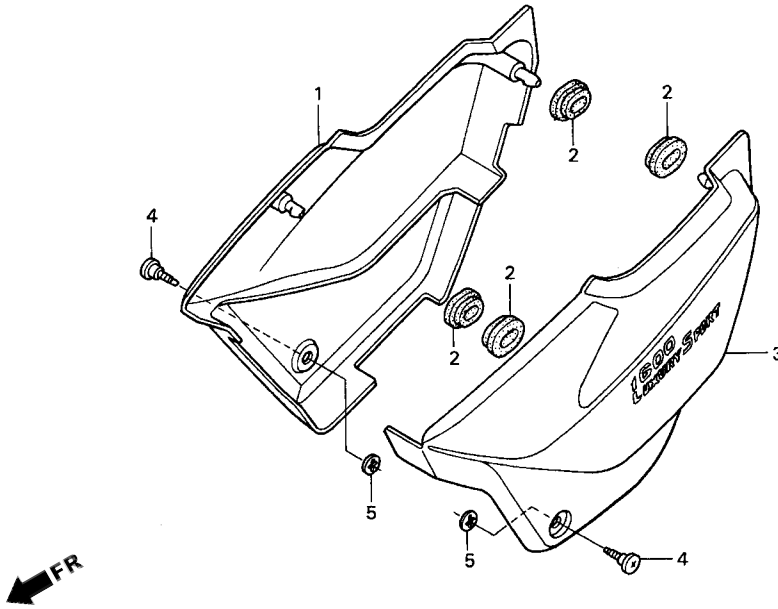
Seat/Rear cowl



KEHG - GL156S

No.	Part Number	Description	Q'ty
1	33603-053-650	COLLAR	4
2	61103-357-000	RUBBER, FR. FENDER MOUNTING	4
3	64527-KY2-700	NUT, CLIP, 4MM	4
4	77200-KEH-830	SEAT ASSY., DOUBLE	1
5	77202-KC5-000	STAY, SEAT RR	2
6	77204-292-000	RUBBER A. SEAT SETTING	3
7	77205-286-000	RUBBER B. SEAT SETTING	2
8	77215-KEH-930FMB	COWL, R. SIDE *NH1* BLACK	1
	77215-KEH-930FMH	COWL, R. SIDE *NH131M* SILVER	1
9	77225-KEH-930BNS	COWL, L. SIDE *NH1* BLACK	1
	77225-KEH-930FMH	COWL, L. SIDE *NH131M* SILVER	1
10	77235-KEH-930FMB	COWL SET, RR. CENTER (BLACK)	1
	77235-KEH-930FMH	COWL SET, RR. CENTER (SILVER)	1
11	83515-KF9-900	COLLAR, TOOL BOX	4
12	83551-300-000	GROMMET, AIR CLEANER CASE	2
13	90563-355-000	WASHER, WHEEL, 6MM	4
14	93894-04012-00	SCREW-WASHER, 4X12	4
15	94050-06000	NUT, FLANGE, 6MM	4
16	95701-08016-07	BOLT, FLANGE, 8X16	2

3

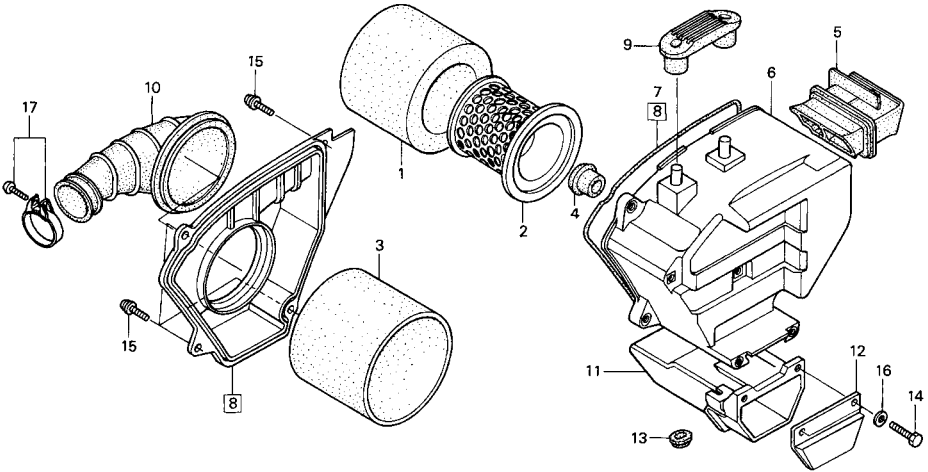


KEHG - GL156S

3

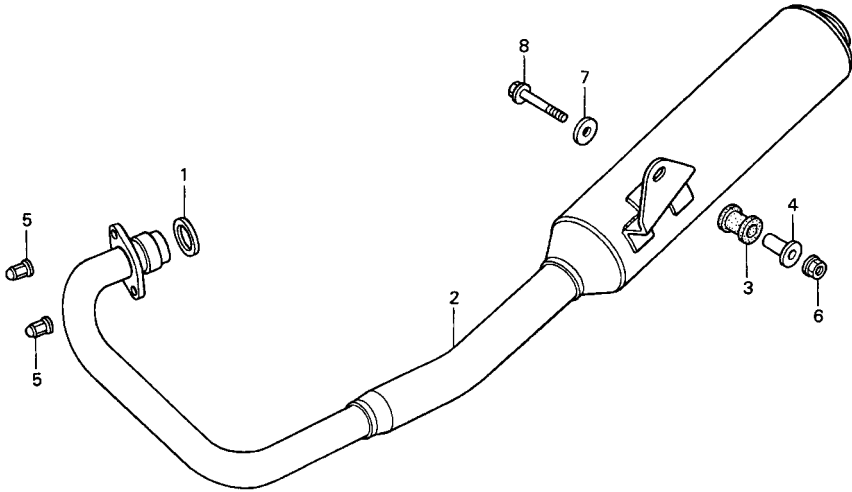
No.	Part Number	Description	Q'ty
1	83540-KEH-930FMB	COVER SET, R. SIDE (BLACK)	1
	83540-KEH-930HNS	COVER SET, R. SIDE (SILVER)	1
2	83551-300-000	GROMMET, AIR CLEANER CASE	4
3	83640-KEH-930BNS	COVER SET, L. SIDE (BLACK)	1
	83640-KEH-930HNS	COVER SET, L. SIDE (SILVER)	1
4	90141-KEH-900	SCREW, SIDE COVER	2
5	90310-GC8-000	NUT, SPEED, 6 MM	2

06.01.1998



KEHG - GL156S

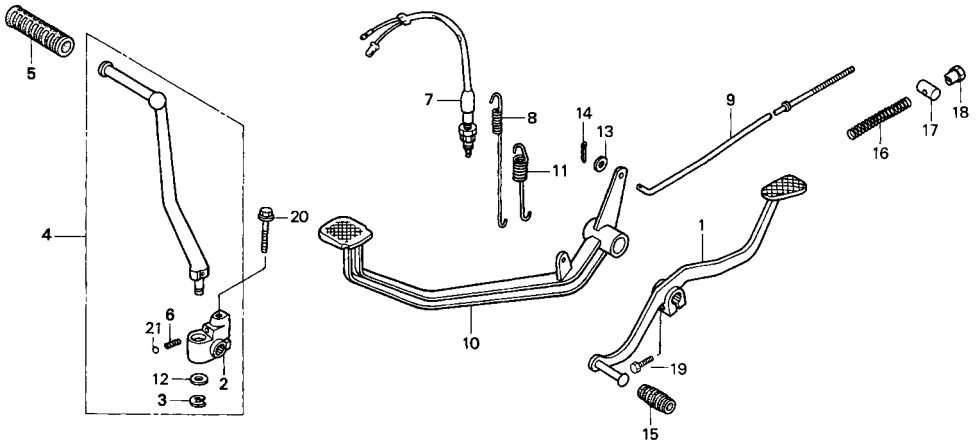
No.	Part Number	Description	Q'ty
1	17211-KEW-900	ELEMENT A, AIR CLEANER	1
2	17213-KEH-930	TRAP COMP., FRAME	1
3	17214-KEW-900	ELEMENT B, AIR CLEANER	1
4	17217-KEW-900	RUBBER, ELEMENT STOPPER	1
5	17218-KEH-930	DUCT, AIR CLEANER INTAKE	1
6	17221-KEH-930	CASE, AIR CLEANER	1
7	17226-KEW-900	SEAL, AIR CLEANER	1
8	17235-KEH-930	COVER SUB ASSY., AIR CLEANER	1
9	17247-KEH-930	RUBBER, AIR CLEANER CASE MOUNTING	1
10	17253-KC5-010	TUBE, AIR CLEANER CONNECTING	1
11	83501-KEH-930	BOX, TOOL	1
12	83502-KEW-900	CAP, TOOL BOX	1
13	83551-300-000	GROMMET, AIR CLEANER CASE	1
14	92101-05020-0A	BOLT, HEX., 5X20	2
15	93891-05016-08	SCREW-WASHER, 5X16	4
16	94101-05000	WASHER, PLAIN, 5MM	2
17	95018-46250	BAND, AIR CLEANER CONNECTING TUBE (46)	1



KEHG - GL156S

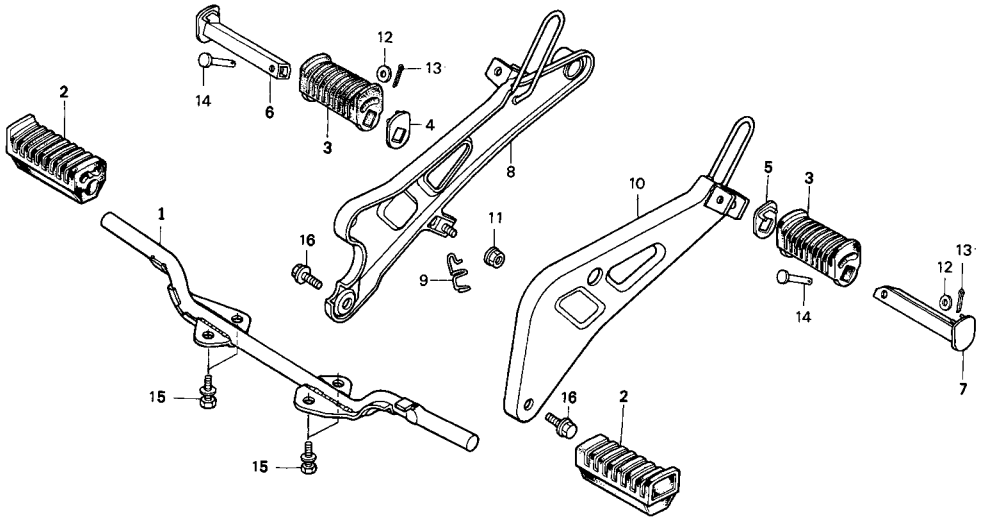
3

No.	Part Number	Description	Q'ty
1	18291-MN5-650	GASKET, EX. PIPE	1
2	18300-KEH-930	MUFFLER COMP., EX	1
3	18421-438-670	RUBBER, MUFFLER MOUNTING	1
4	18422-KCJ-690	COLLAR, MUFFLER MOUNTING	1
5	90304-KCT-690	NUT, HEX. CAP, 7MM	2
6	94050-10000	NUT, FLANGE, 10MM	1
7	94103-10000	WASHER, PLAIN, 10MM	2
8	95801-10055-00	BOLT, FLANGE, 10X55	1



KEHG - GL156S

No.	Part Number	Description	Q'ty
1	24701-KEH-930	PEDAL, GEAR CHANGE	1
2	28241-KC5-010	JOINT, KICK ARM	1
3	28293-333-000	CLIP, KICK STARTER ARM	1
4	28300-KC5-010	ARM ASSY., KICK STARTER	1
5	28311-KC5-000	RUBBER, KICK STARTER	1
6	28333-124-000	SPRING, KICK STARTER STOPPER	1
7	35350-KEH-950	SWITCH ASSY., RR. STOP	1
8	35357-KC5-000	SPRING, STOP SWITCH	1
9	43451-KEH-900	ROD, RR. BRAKE	1
10	46500-KC5-000	PEDAL, BRAKE	1
11	46514-383-830	SPRING, BRAKE PEDAL	1
12	90505-116-670	WASHER, 13X20	1
13	94101-05000	WASHER, PLAIN, 5MM	1
14	94201-20150	PIN, SPLIT, 2.0X15	1
15	95011-40000	RUBBER, CHANGE PEDAL	1
16	95014-73100	SPRING A, BRAKE ROD	1
17	95015-32001	JOINT B. BRAKE ARM	1
18	95015-42000	NUT B. BRAKE ROD ADJUSTING	1
19	95701-06020-00	BOLT, FLANGE, 6X20	1
20	95701-08040-00	BOLT, FLANGE, 6X40	1
21	96211-08000	BALL, STEEL, #8 (1/4)	1

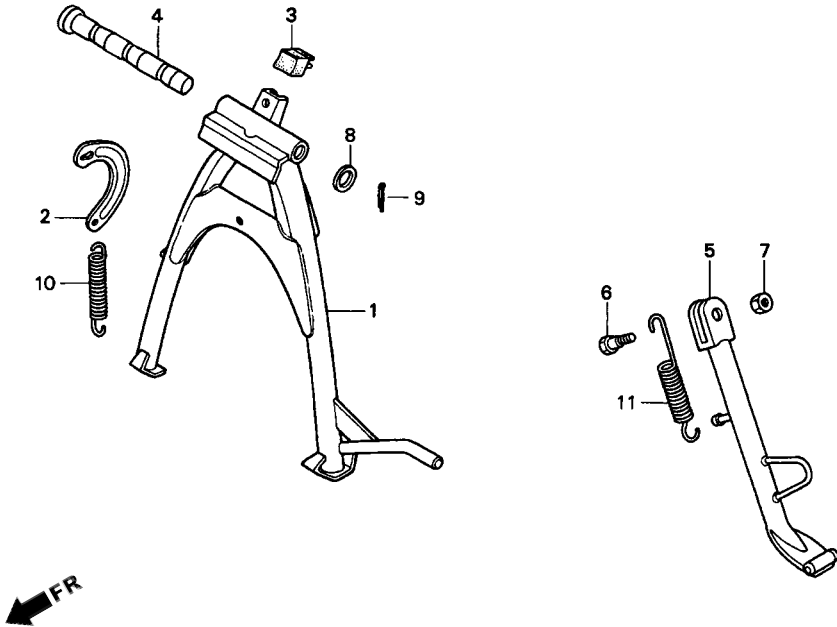


KEHG - GL156S

3

No.	Part Number	Description	Q'ty
1	50610-KEH-930	BAR COMP., STEP *NH1* BLACK	1
2	50661-KC5-000	RUBBER, STEP	2
3	50710-461-770	RUBBER, PILLION STEP	2
4	50712-KC5-000	WASHER, R. PILLION STEP	1
5	50713-KC5-000	WASHER, L. PILLION STEP	1
6	50715-KEH-900	BAR, R. PILLION STEP	1
7	50718-KEH-900	BAR, L. PILLION STEP	1
8	50720-KEH-930FMH	HOLDER, R. PILLION STEP *NH255M* SILVER METALLIC	1
9	50721-KEH-930	GUIDE, HOSE	1
10	50725-KEH-930FMH	HOLDER, L. PILLION STEP *NH255M* SILVER METALLIC	1
11	94050-05080	NUT, FLANGE, 5MM	1
12	94101-06000	WASHER, PLAIN, 6MM	2
13	94201-16150	PIN, SPLIT, 1.6X15	2
14	95015-83000	PIN C, PILLION STEP	2
15	95701-08020-08	BOLT, FLANGE, 8X20	4
16	95701-10016-00	BOLT, FLANGE, 10X16	2

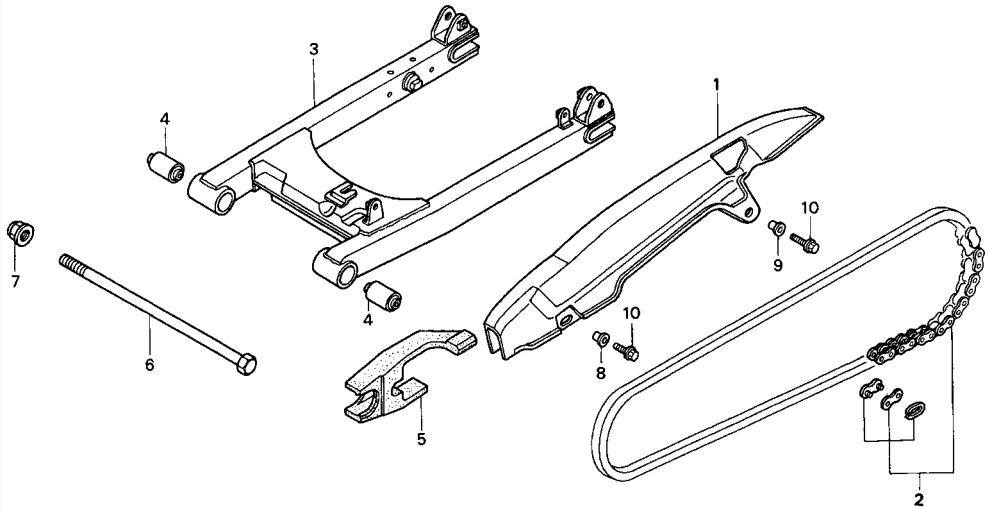
06.01.1998



KEHG - GL156S

No.	Part Number	Description	Q'ty
1	50500-KEH-900	STAND COMP., MAIN	1
2	50523-KC5-000	HOOK, MAIN STAND SPRING	1
3	50524-397-000	RUBBER, STAND STOPPER	1
4	50526-KEH-930	PIPE, MAIN STAND PIVOT	1
5	50530-KEH-930	STAND COMP., SIDE	1
6	90107-GN1-010	SCREW, SIDE STAND PIVOT	1
7	90304-GE8-003	NUT, FLANGE, 10MM	1
8	90521-028-000	WASHER, 17X22	1
9	94201-30250	PIN, SPLIT, 3.0X25	1
10	95014-71202	SPRING B. MAIN STAND	1
11	95014-72102	SPRING A. SIDE STAND	1

3

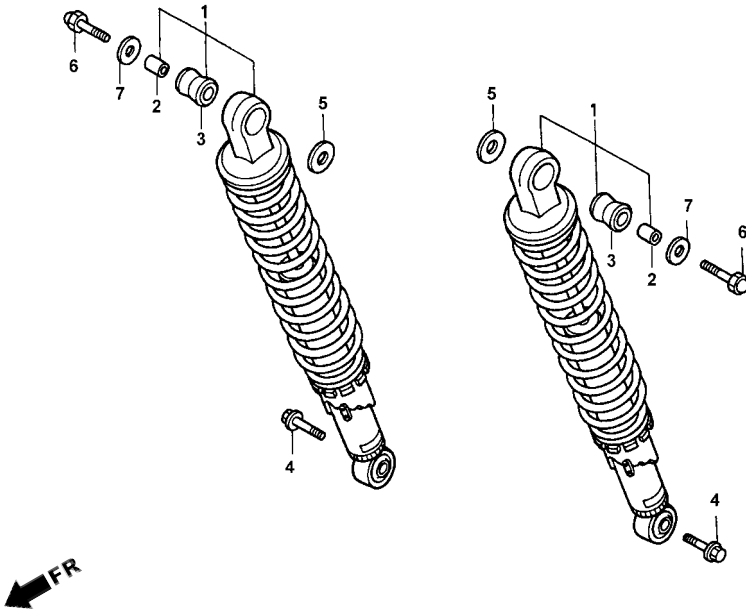


KEHG - GL156S

3

No.	Part Number	Description	Q'ty
1	40510-KEH-900	CASE, DRIVE CHAIN	1
2	428-112	CHAIN, DRIVE	1
3	52110-KEH-930	SWINGARM COMP., REAR	1
4	52147-KC5-000	BUSH, RR. FORK PIVOT	2
5	52170-KEH-900	SLIDER, DRIVE CHAIN	1
6	90121-KC5-000	BOLT, SWINGARM PIVOT	1
7	90306-GBG-900	NUT, SPECIAL, 12MM	1
8	90513-405-000	WASHER, 6X9	1
9	90563-KC5-000	WASHER, CHAIN CASE SETTING	1
10	95701-06012-07	BOLT, FLANGE, 6X12	2

06.01.1998

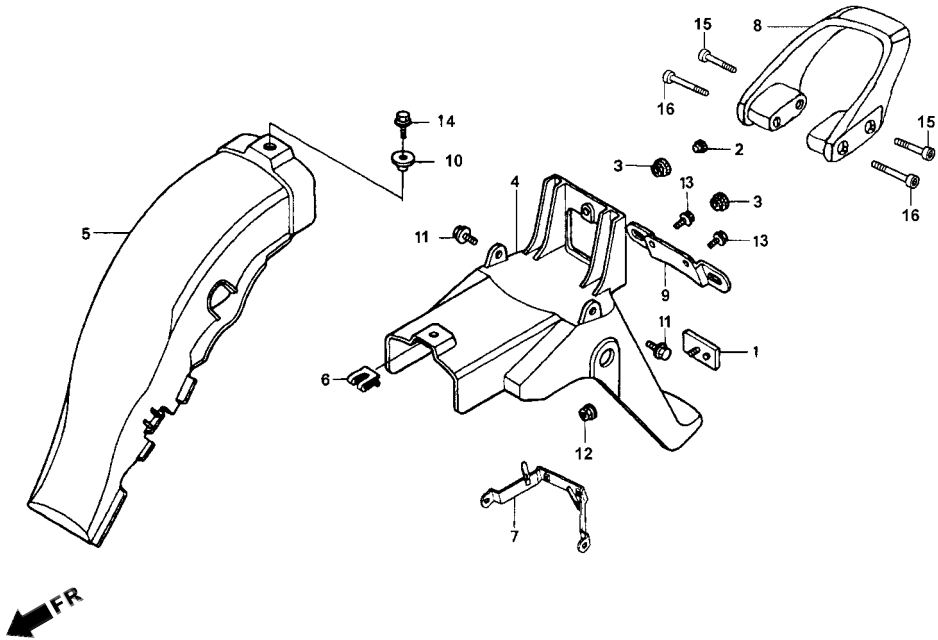


KEHG - GL156S

No.	Part Number	Description	Q'ty
1	52400-KEH-900	CUSHIONASSY., RR	2
2	52486-056-000	COLLAR, RR. CUSHION RUBBER BUSH	2
3	52489-399-601	BUSH, UPPER RUBBER	2
4	90108-KC5-000	BOLT, RR. CUSHION UNDER	2
5	90529-KEH-930	WASHER, 12MM	2
6	92501-08020-0B	BOLT, CAP, 8X20	2
7	94103-08200	WASHER, PLAIN, 8MM	2

F - 23

Rear fender

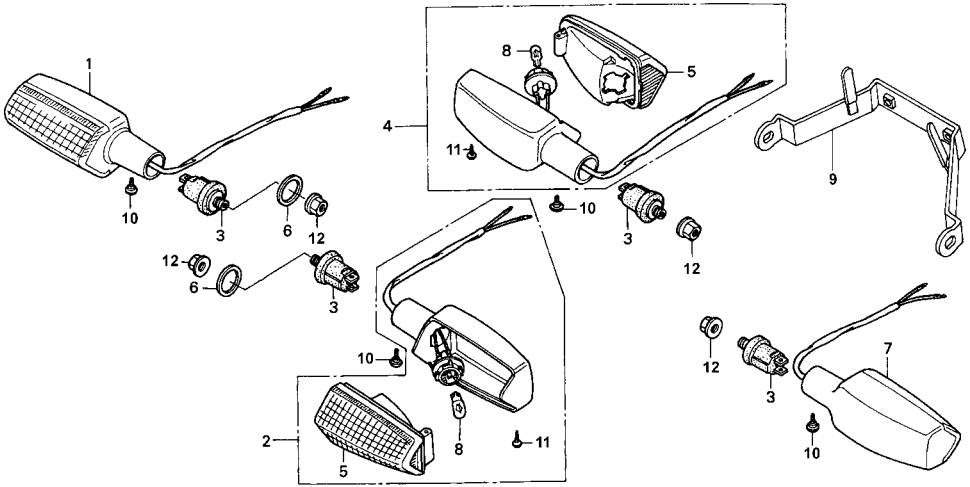


KEHG - GL156S

3

No.	Part Number	Description	Q'ty
1	33741-KG2-910	REFLECTOR, RR. REFLEX	1
2	61110-388-000	PLUG, USELESS HOLE	3
3	61313-KN6-910	RUBBER, HEADLIGHT MOUNTING	2
4	80100-KEH-930	FENDER A, RR	1
5	80101-KC5-000	FENDER B	1
6	80105-KC5-000	NUT, CLIP, 6MM	1
7	80105-KEH-930	STAY, RR. WINKER	1
8	84100-KEH-930	GRIP, REAR	1
9	84701-KCJ-690	BRACKET, NUMBER PLATE	1
10	90007-KC5-000	COLLAR B. FENDER SETTING	1
11	90111-187-000	BOLT, FLANGE, 6MM	2
12	94050-06000	NUT, FLANGE, 6MM	1
13	94103-06000	WASHER, PLAIN, 6MM	2
14	95701-06014-00	BOLT, FLANGE, 6X14	1
15	96600-08050-00	SOCKET, BOLT, 8X50	2
16	96600-08060-00	SOCKET, BOLT, 8X60	2

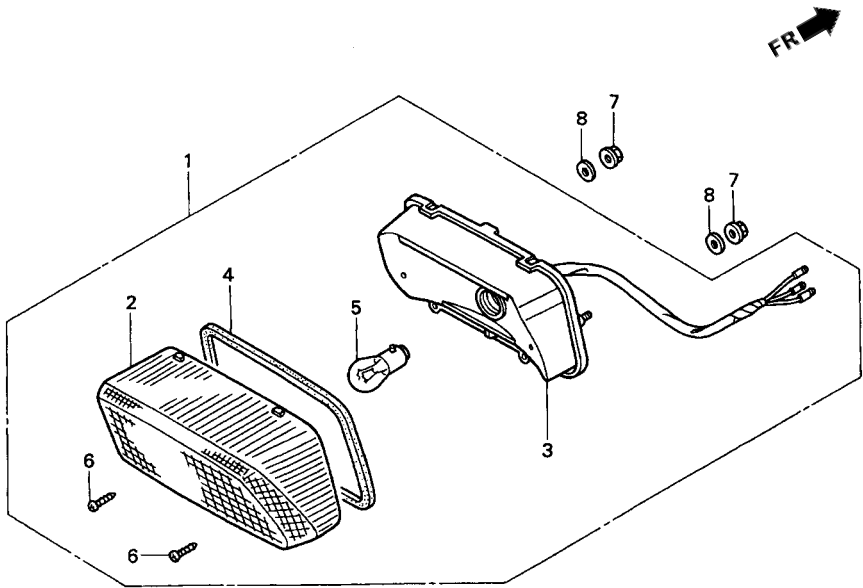
06.01.1998



KEHG - GL156S

No.	Part Number	Description	Q'ty
1	33400-KEH-950	WINKER ASSY., R. FR	1
2	33450-KCJ-720	WINKER ASSY., L. FR	1
3	33491-KAF-003	STAY COMP., WINKER	4
4	33600-KEH-950	WINKER ASSY., R. RR	1
5	33620-KCJ-700	LENS COMP	4
6	33650-KAF-000	COLLAR, FR. WINKER	2
7	33650-KEH-950	WINKER ASSY., L. RR	1
8	34905-KCJ-700	BULB, WINKER	4
9	80105-KEH-930	STAY, REAR WINKER	1
10	90380-MB2-000	SCREW, SPECIAL, 6X8	4
11	93903-34380	SCREW, TAPPING, 4X12	4
12	94050-10000	NUT, FLANGE, 10MM	4

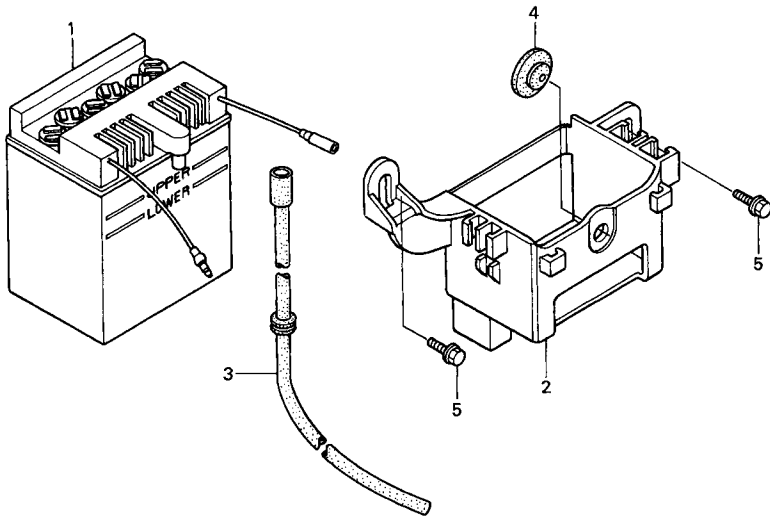
3



KEHG - GL156S

3

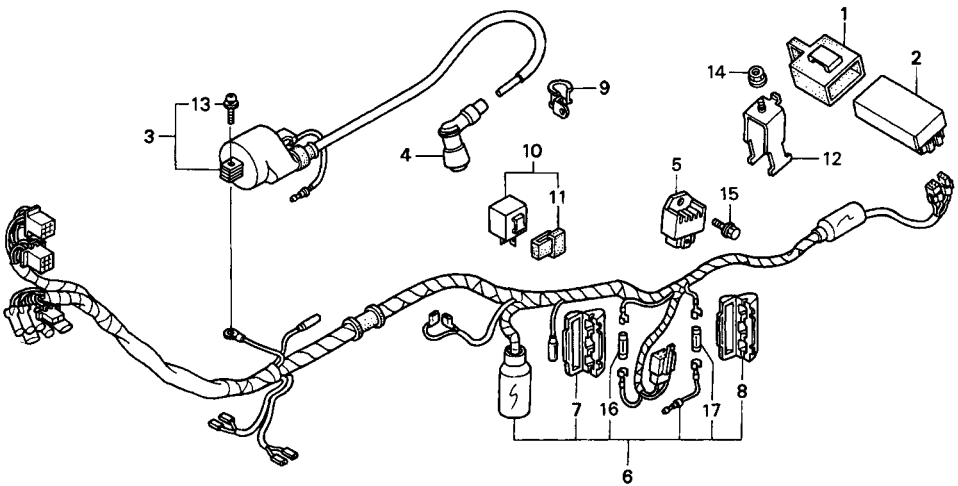
No.	Part Number	Description	Q'ty
1	33701-KEH-950	TAILLIGHT UNIT	1
2	33702-KEH-950	LENS COMP., TAILLIGHT	1
3	33703-KEH-950	BASE COMP., TAILLIGHT	1
4	33706-KEH-950	PACKING	1
5	34906-KET-940	BULB, TAILLIGHT	1
6	93901-24480	SCREW, TAPPING, 4X16	2
7	94050-06000	NUT, FLANGE, 6MM	2
8	94103-06000	WASHER, PLAIN, 6MM	2



KEHG - GL156S

No.	Part Number	Description	Q'ty
1	31500-KC5-010	BATTERY ASSY.....	1
2	31501-KEH-930	BOX, BATTERY	1
3	31502-KEH-930	TUBE, BATTERY BREATHER	1
4	83618-323-000	RUBBER, BATTERY BOX	1
5	90111-162-000	BOLT, FLANGE, 6MM	2

3

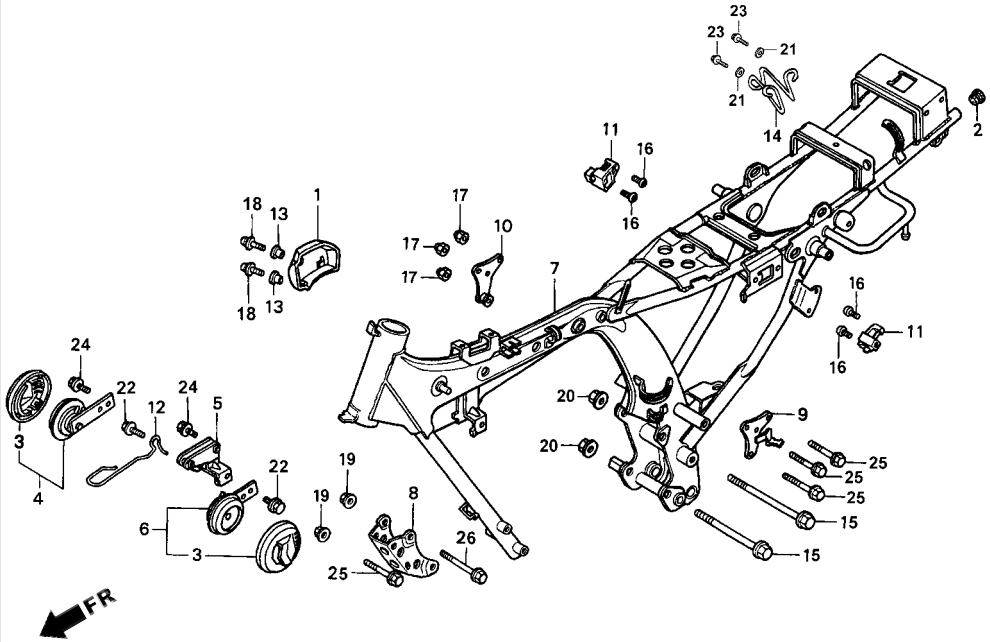


KEHG - GL156S

3

No.	Part Number	Description	Q'ty
1	30401-KEH-900	CUSHION, C.D.I. UNIT	1
2	30410-KEH-930	C.D.I. UNIT	1
3	30510-KEH-950	COIL ASSY., C.D.I. IGNITION	1
4	30700-GN5-961	CAP ASSY., NOISE SUPPRESSOR	1
5	31600-GAZ-980	RECTIFIER COMP., REGULATE	1
6	32100-KEH-930	HARNESS, WIRE	1
7	32120-383-830	CASE, FUSE (10A)	1
8	32120-465-000	CASE, FUSE (15A)	1
9	32906-KC6-950	CLIP, HIGH TENSION CORD	1
10	38300-KEH-930	RELAY ASSY., WINKER	1
11	38306-KJ6-740	SUSPENSION, WINKER RELAY	1
12	50370-KEH-930	STAY, C.D.I. UNIT	1
13	93892-05020-00	SCREW-WASHER, 5X20	1
14	94050-06000	NUT, FLANGE, 6MM	1
15	95701-06012-00	BOLT, FLANGE, 6X12	1
16	98200-11000	FUSE A (10A)	1
17	98200-11500	FUSE (15A)	1

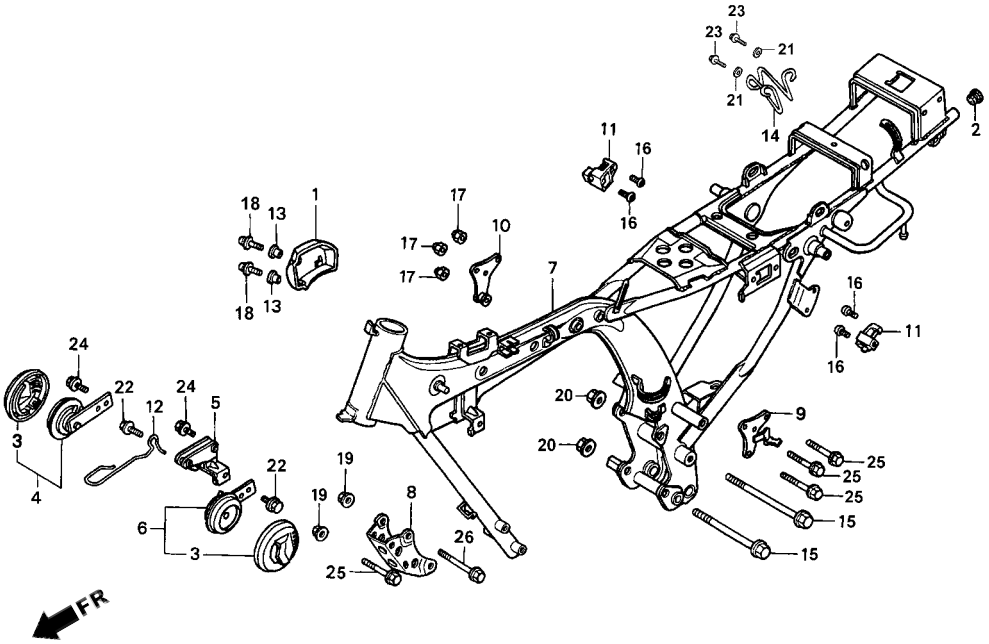
06.01.1998



KEHG - GL156S

No.	Part Number	Description	Q'ty
1	16305-KEH-930FMB	COVER, CARBURETOR *NH105* BLACK	1
2	19902-865-780	GROMMET A, SIDE COVER	2
3	38101-KG2-910	COVER, HORN	2
4	38111-KG2-910	HORN COMP., HIGH	1
5	38115-KC5-921	STAY, HORN	1
6	38121-KG2-910	HORN COMP., LOW	1
7	50100-KEH-930FMB	BODY COMP., FRAME *NH1* BLACK	1
8	50351-KEH-900FMB	PLATE, FR. ENGINE HANGER *NH1* BLACK	1
9	50352-KEH-900	PLATE COMP., L. ENGINE HANGER UPPER	1
10	50354-KEH-900	PLATE COMP., R. ENGINE HANGER UPPER	1
11	50710-KCH-780	HOLDERASSY., HELMET	2
12	50721-KC5-000	GUIDE, CLUTCH CABLE	1
13	61102-329-790	COLLAR, RIVETING	2
14	84110-KBW-900	HOOK, LUGGAGE	1
15	90019-399-010	BOLT, FLANGE, 10X110	2
16	90150-GA6-700	SCREW, TORX PAN, 6X8	4
17	90443-107-000	NUT, CAP, 8MM	3
18	93893-05012-07	SCREW-WASHER, 5X12	2
19	94050-08000	NUT, FLANGE, 8MM	4
20	94050-10000	NUT, FLANGE, 10MM	2

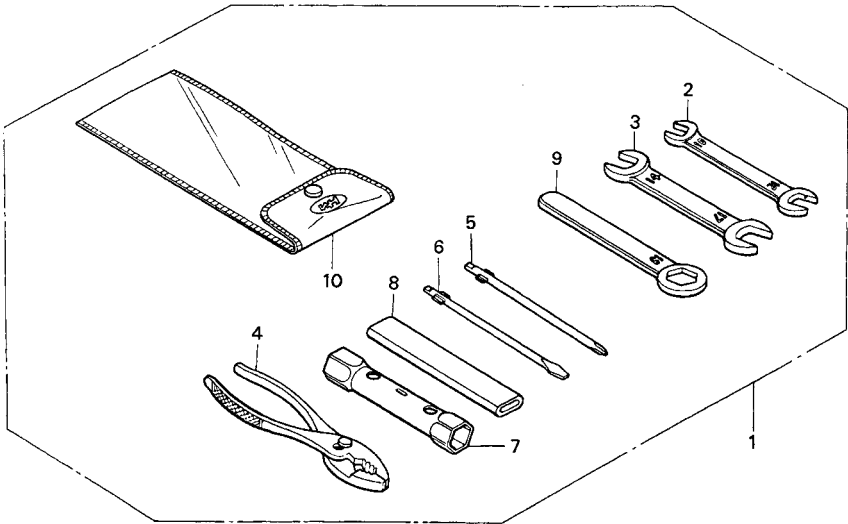
3



KEHG - GL156S

3

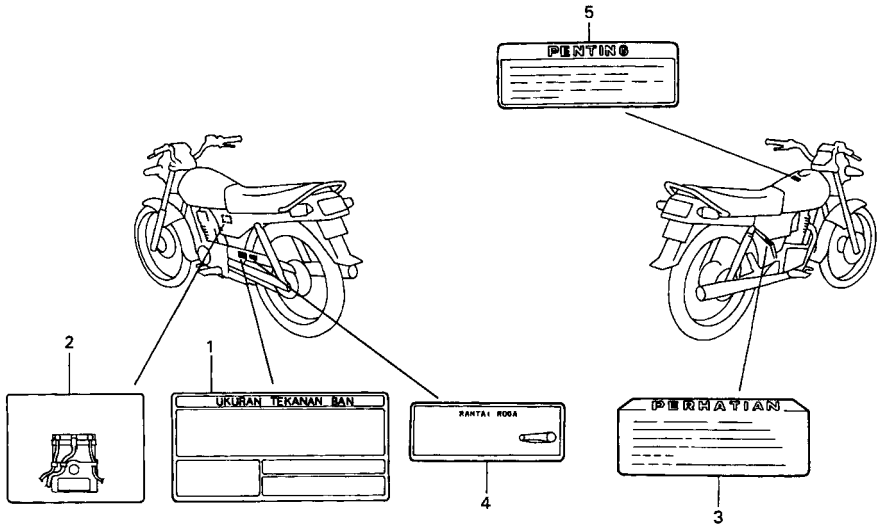
No.	Part Number	Description	Q'ty
21	94103-06000	WASHER, PLAIN, 6MM	2
22	95701-06010-00	BOLT, FLANGE, 6X10	2
23	95701-06014-00	BOLT, FLANGE, 6X14	2
24	95701-06018-00	BOLT, FLANGE, 6X18	2
25	95801-08070-00	BOLT, FLANGE, 8X70	5
26	95801-08085-00	BOLT, FLANGE, 8X85	2



KEHG - GL156S

3

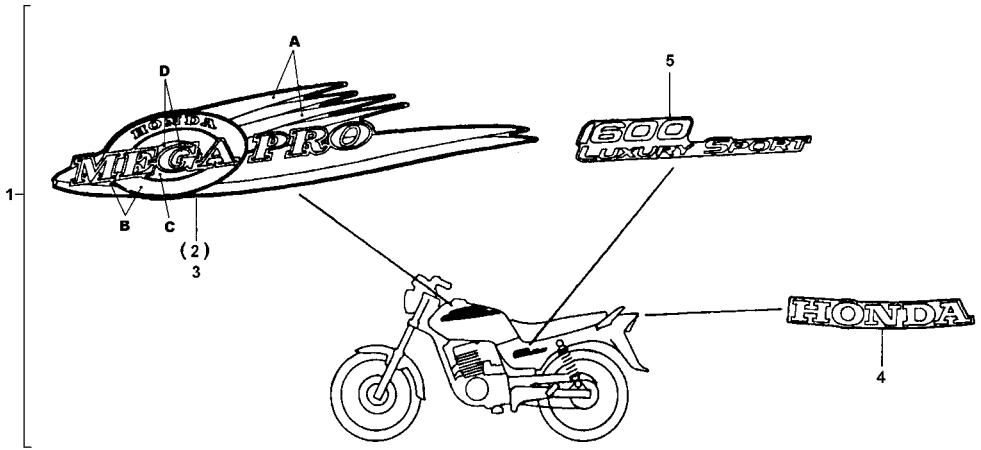
No.	Part Number	Description	Q'ty
1	89010-KEH-930	TOOL SET	1
2	99001-10120	SPANNER, 10X12	1
3	99001-14170	SPANNER, 14X17	1
4	99002-13500	PLIERS, 135	1
5	99003-10000	DRIVER 1, PLUS SCREW (NO.2)	1
6	99003-30000	DRIVER 3, MINUS SCREW (NO.2)	1
7	99004-18190	WRENCH, BOX (P18X19)	1
8	99006-12000	HANDLE, EYE WRENCH, 12MM	1
9	99006-19000	WRENCH, EYE, 19MM	1
10	99008-01600	BAG, TOOL, 160MM	1



KEHG - GL156S

3

No.	Part Number	Description	Q'ty
1	87505-KEH-930	LABEL, TIRE	1
2	87506-KEH-930	LABEL, BATTERY CAUTION	1
3	87507-KC5-920	MARK, AIR CLEANER CAUTION	1
4	87507-KEH-900	MARK, DRIVE CHAIN CAUTION	1
5	87560-KC5-920ZA	MARK, DRIVE CAUTION (BLK)	1
	87560-KC5-920ZB	MARK, DRIVE CAUTION (WHT)	1



KEHG - GL156S

No.	Part Number	Description	Q'ty
1	871X0-KEH-930ZA	STRIPING SET *TYPE1*	1
	871X0-KEH-930ZB	STRIPING SET *TYPE2*	1
2	17511-KEH-930ZA	STRIPE, R. FUEL TANK *TYPE1*	1
	17511-KEH-930ZB	STRIPE, R. FUEL TANK *TYPE2*	1
3	17512-KEH-930ZA	STRIPE, L. FUEL TANK *TYPE1*	1
	17512-KEH-930ZB	STRIPE, L. FUEL TANK *TYPE2*	1
4	77236-KEH-930ZA	MARK, RR. CENTER COWL *TYPE1*	1
	77236-KEH-930ZB	MARK, RR. CENTER COWL *TYPE2*	1
5	83541-KEH-930ZA	MARK, SIDE COVER *TYPE1*	2
	83541-KEH-930ZB	MARK, SIDE COVER *TYPE2*	2

Type	Main body color	A	B	C	D
TYPE 1	BLACK	Reddish gray metallic	November Silver metallic	Reddish gray metallic	Black
TYPE 2	STARLIGHT SILVER METALIC	Light silver	November Silver metallic	Reddish gray metallic	Black